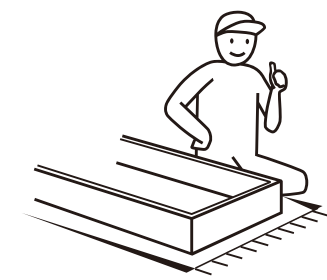
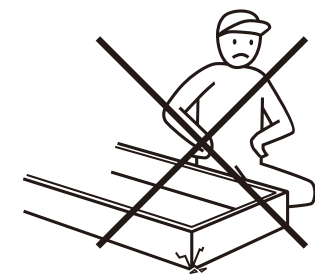
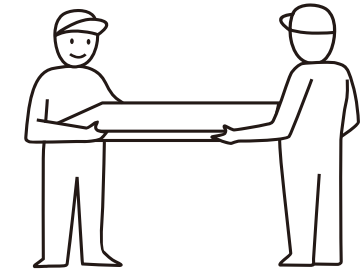
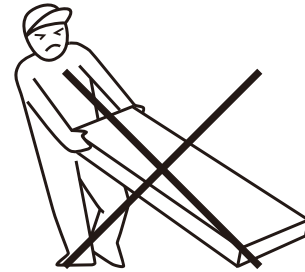
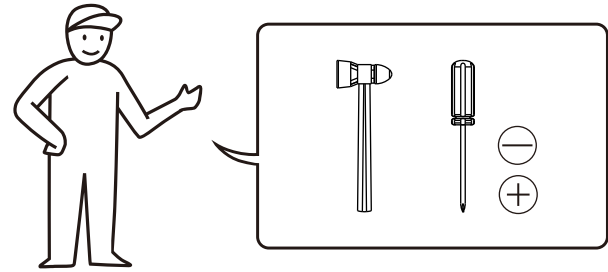

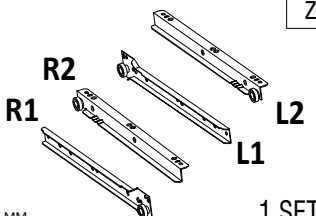


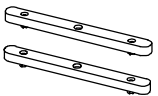

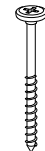


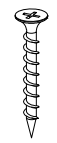


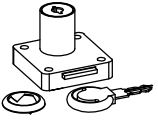
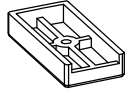
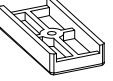
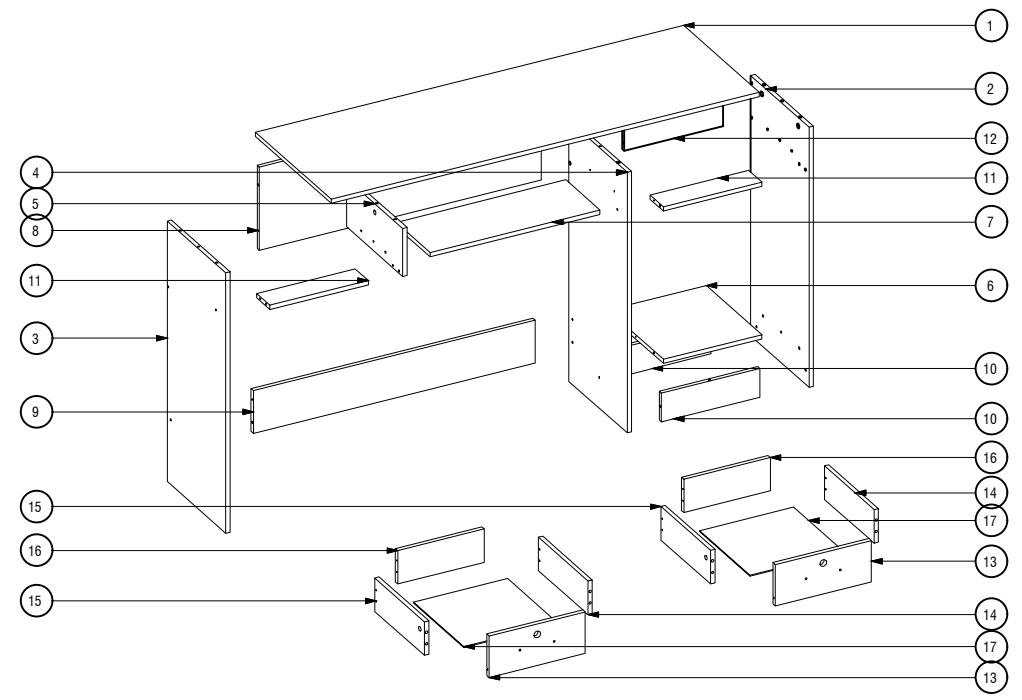




ASSEMBLING INSTRUCTION

ALPHA COMPUTER DESK 120



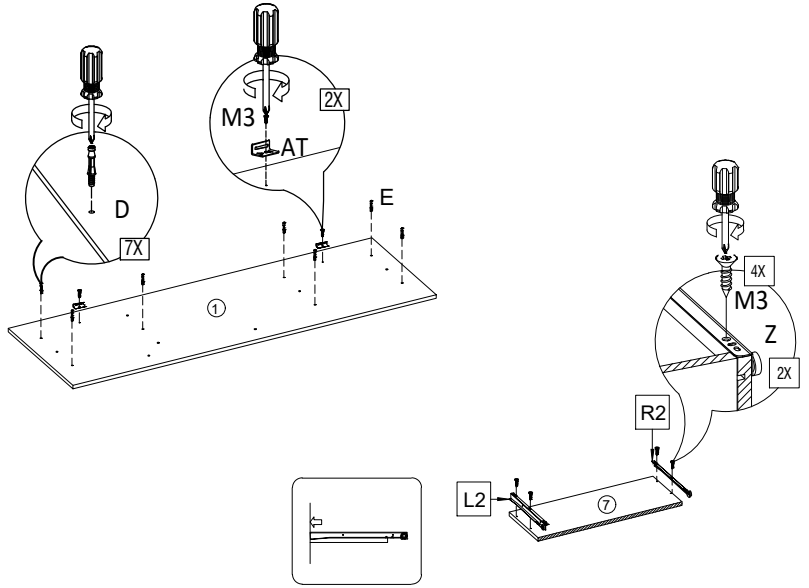
| | | | | | |
|--|---|--|--|---|---|
| <p>B1</p>  <p>∅6 MM X 30 MM</p> <p>31 X</p> | <p>Z</p>  <p>R2 R1 L2 L1</p> <p>250 MM</p> <p>1 SET</p> | <p>M3</p>  <p>∅6 MM X 13 MM</p> <p>18 X</p> | <p>AT</p>  <p>2 X</p> | <p>Y</p>  <p>∅6 MM X 32 MM</p> <p>2 X</p> | |
| <p>E</p>  <p>∅12 MM X 10 MM</p> <p>11 X</p> | <p>J1</p>  <p>∅10 MM X 44 MM</p> <p>13 X</p> | <p>W34</p>  <p>2 X</p> | <p>F</p>  <p>13 MM</p> <p>4 g</p> | <p>L</p>  <p>∅6 MM X 38 MM</p> <p>8 X</p> | <p>D</p>  <p>∅6 MM X 32 MM</p> <p>11 X</p> |
| <p>M6</p>  <p>∅6 MM X 16 MM</p> <p>10 X</p> | <p>U</p>  <p>∅16 MM</p> <p>2 X</p> | <p>BB2</p>  <p>2 X</p> | <p>BB6</p>  <p>12 MM</p> <p>4 X</p> | | |



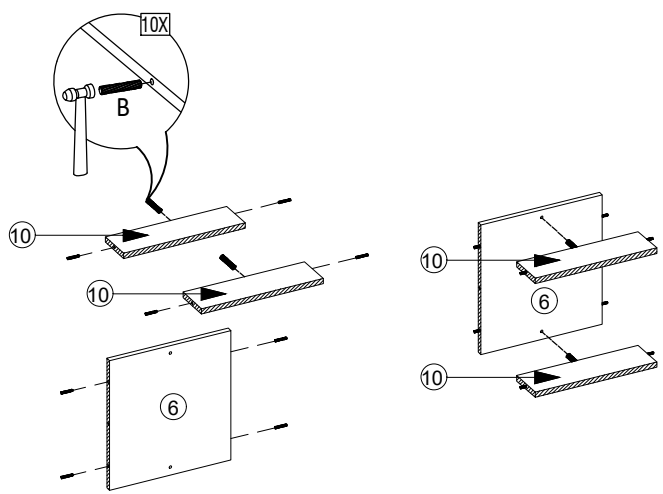
 x2 ±45 M 

| | | | | |
|-----|---------------|-------------|-------|---------------|
| D | B1 | Z | M3 | AT |
| | | | | |
| 7 X | ∅6 MM X 30 MM | 10 X 250 MM | 1 SET | ∅6 MM X 13 MM |
| | | | 6 X | 2 X |

1

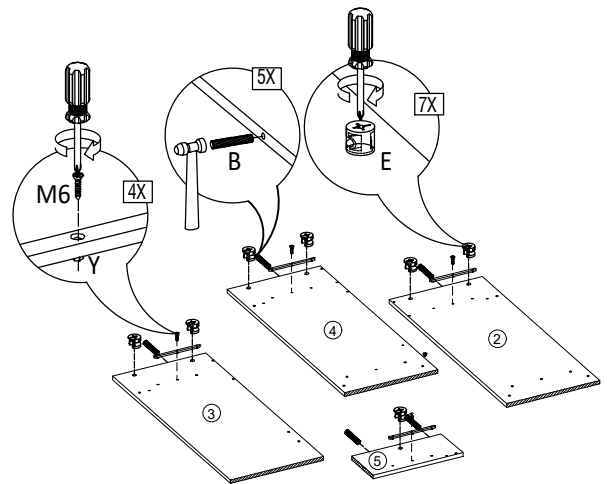


2

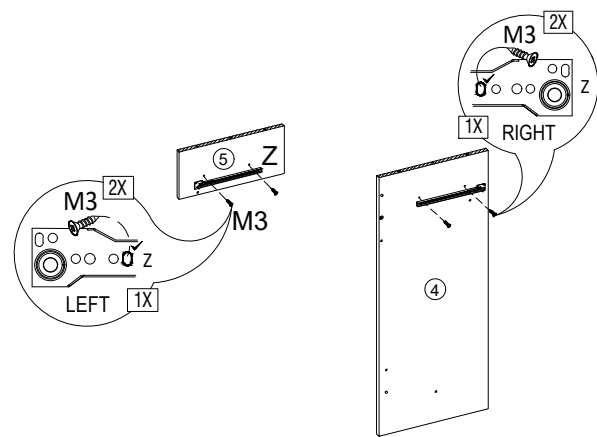


| | | | | |
|---------------|---------------|---------------|---------------|----------------|
| M6 | B1 | Y | M3 | E |
| | | | | |
| ∅6 MM X 16 MM | ∅6 MM X 30 MM | ∅6 MM X 32 MM | ∅6 MM X 13 MM | ∅12 MM X 10 MM |
| 4 X | 5 X | 2 X | 4 X | 7 X |

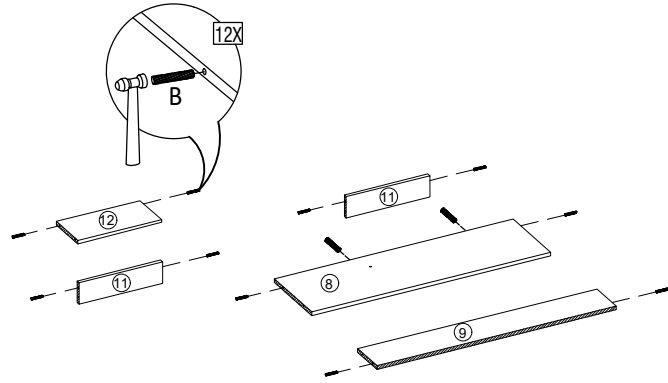
3



4

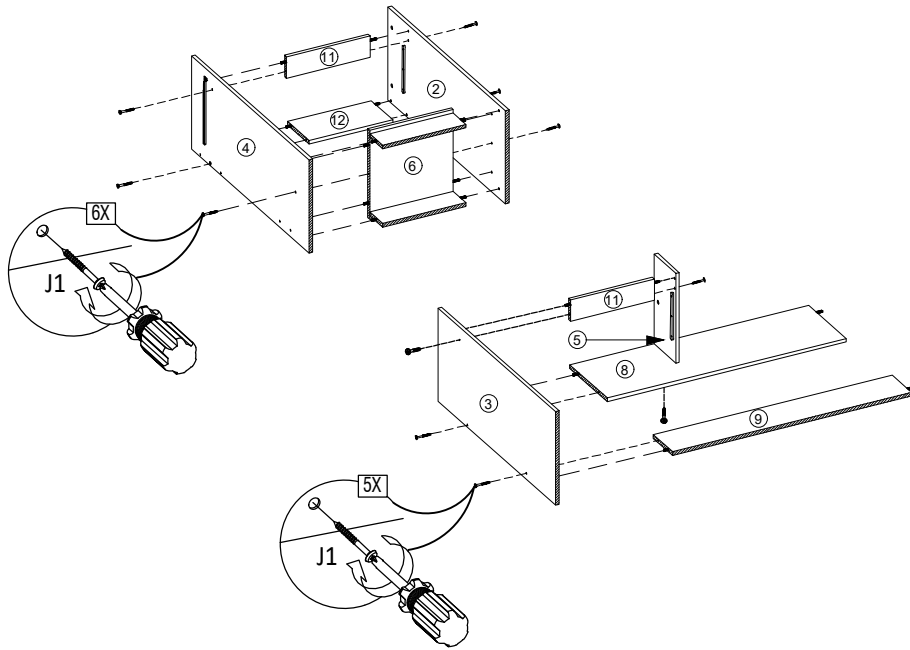


5



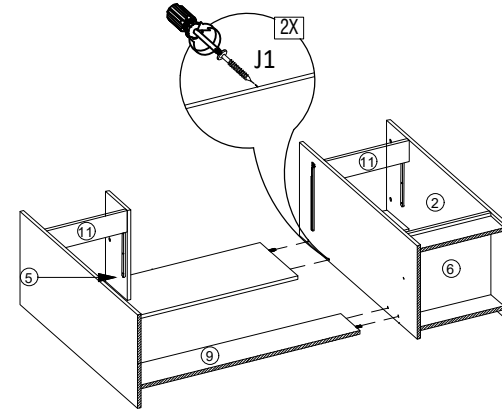
| | |
|----------------------|---------------------|
| J1 | B1 |
| | |
| ∅ 10 MM X 44 MM 11 X | ∅ 6 MM X 30 MM 12 X |

6

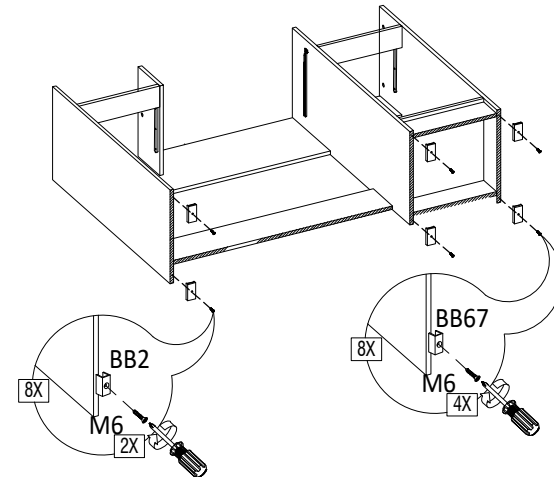


05

7




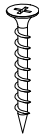




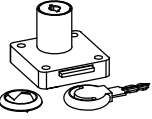

8



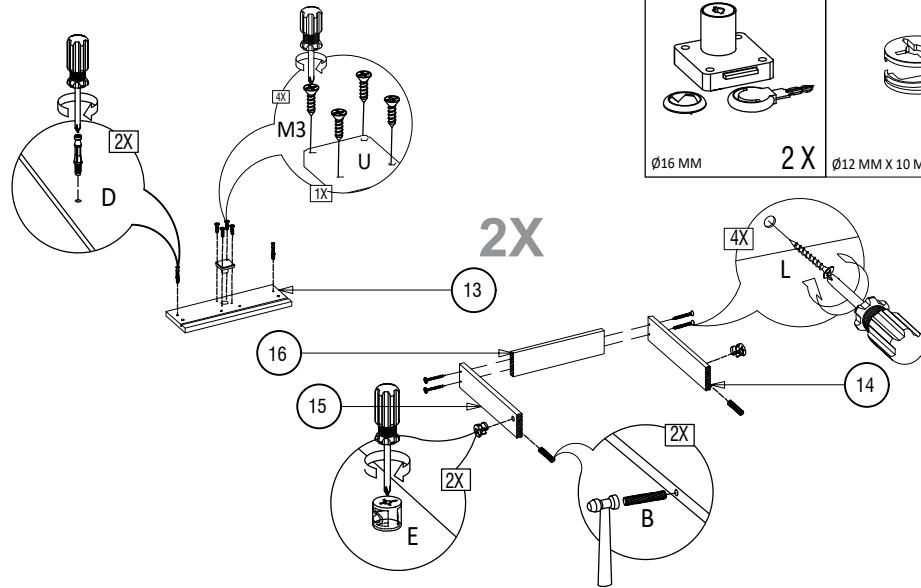
06

| | | | |
|--------------------|---------------------|-----|-----------|
| M6 | J1 | BB2 | BB6 |
| | | | |
| ∅ 6 MM X 16 MM 6 X | ∅ 10 MM X 44 MM 2 X | 2 X | 12 MM 4 X |

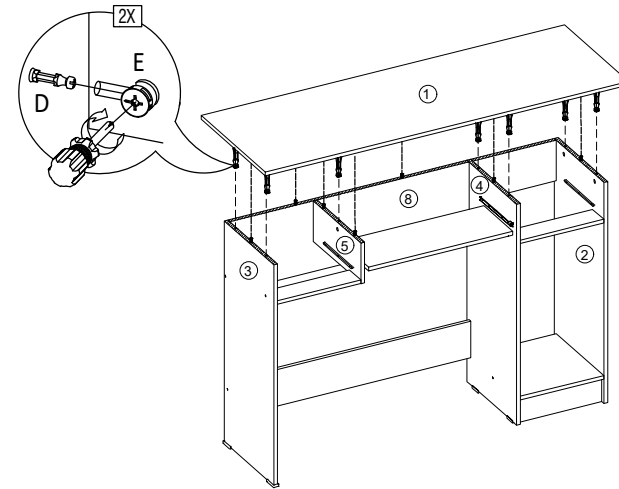
| | | | | | |
|--|---|---|--|---|--|
| B1  ∅6 MM X 30 MM 4 X | W34  2 X | F  13 MM 4 g | L  ∅6 MM X 38 MM 8 X | D  4 X | M3  ∅6 MM X 13 MM 8 X |
|--|---|---|--|---|--|

| | |
|--|---|
| U  ∅16 MM 2 X | E  ∅12 MM X 10 MM 4 X |
|--|---|

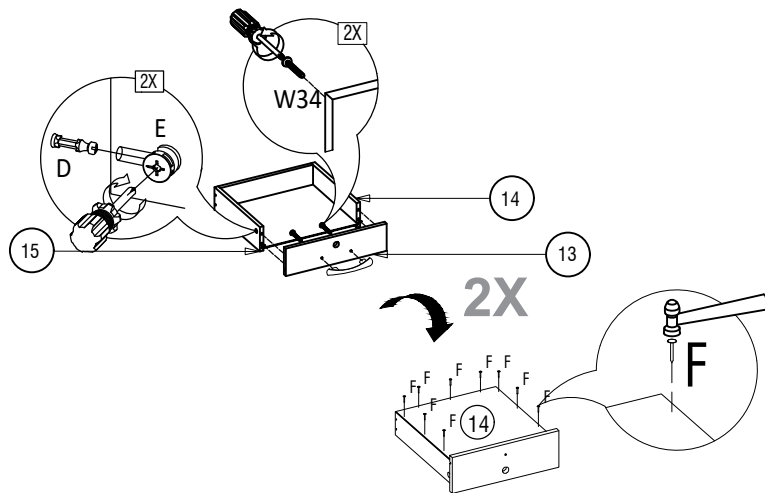
9



11



10



12

