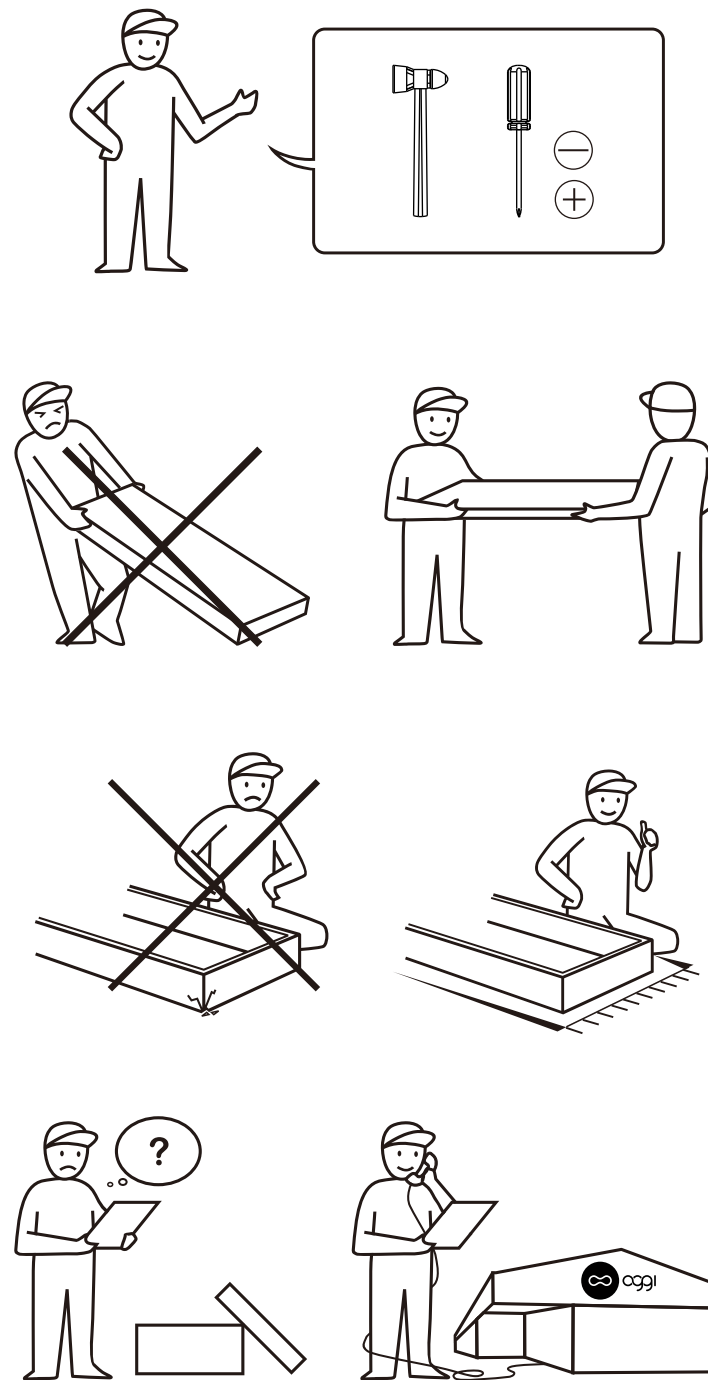



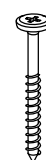


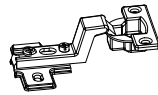

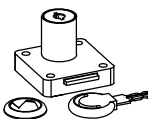

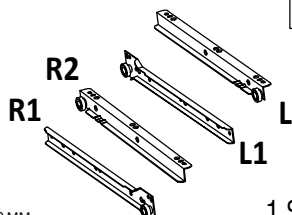
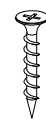




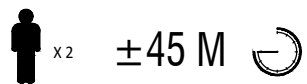
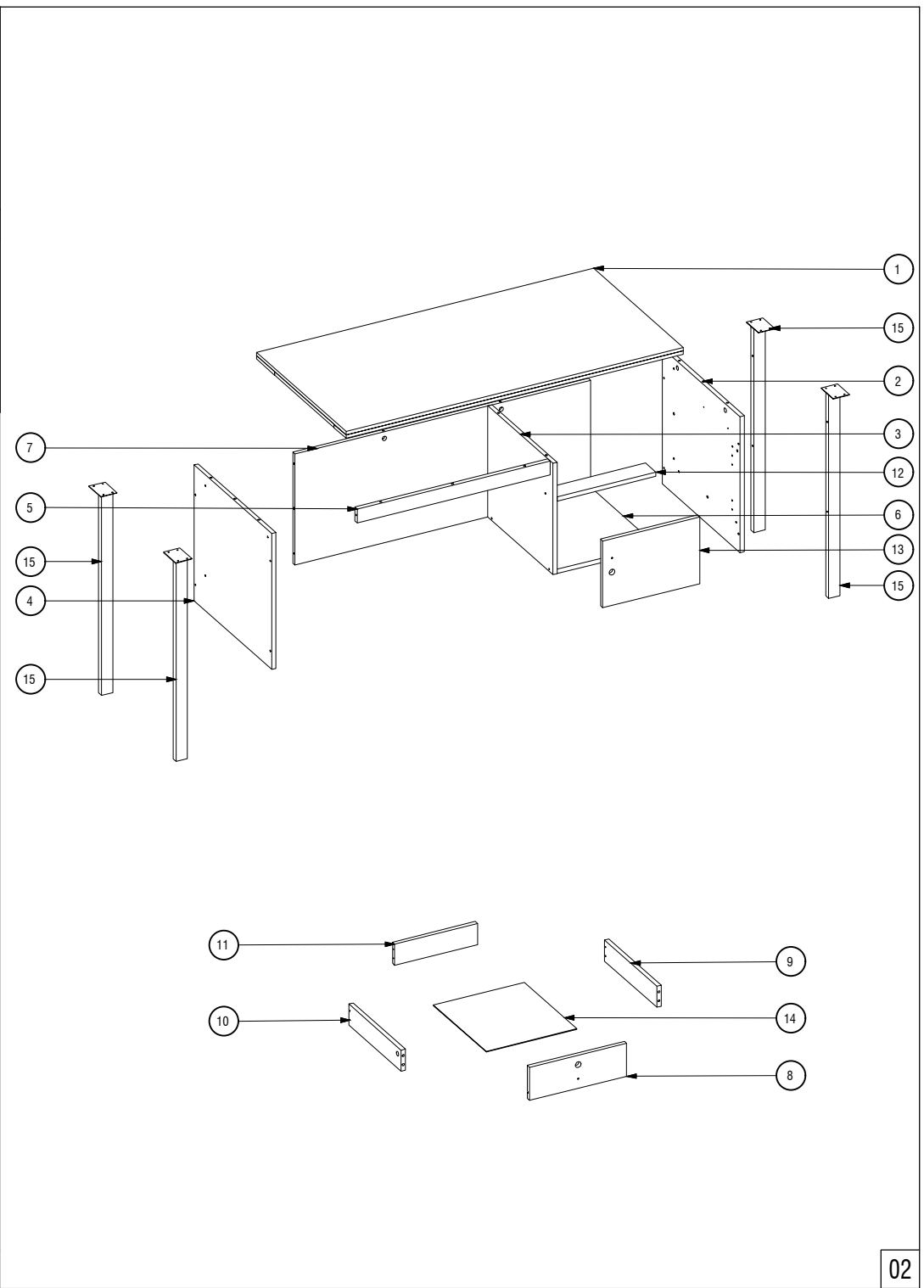


ASSEMBLING INSTRUCTION

CHESTER WORKING DESK 120
BLACK OAK

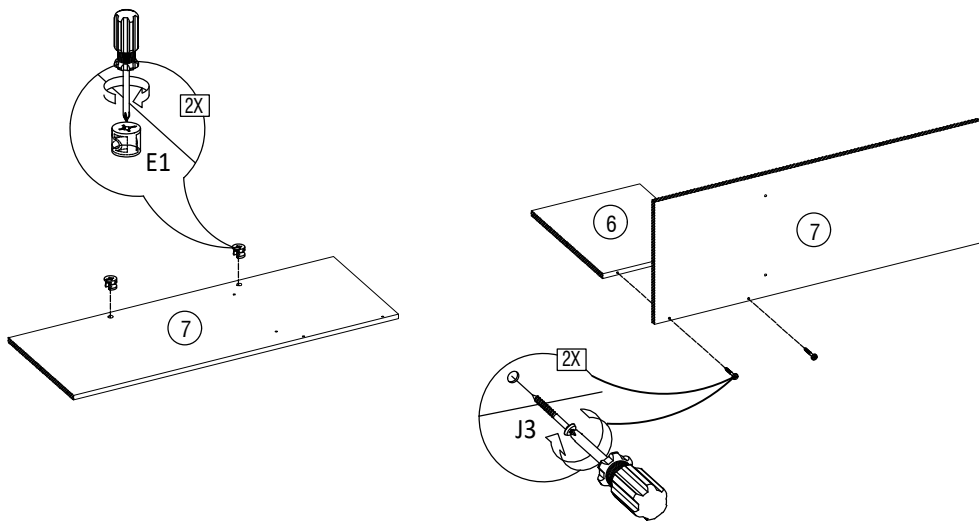


 D 12 X Ø12 MM X 10 MM	 E1 12 X Ø6 X 30 MM	 B 12 X Ø10 X 44 MM	 J3 16 X Ø6 MM X 13 MM	 AT 2 X Ø6 MM X 13 MM	 M3 14 X
 Q FULL OVERLAY 2 X	 V8 2 X Ø19 MM	 U1 2 X 13 MM	 F 5 g 350 MM	 Z1 1 SET	
 L1 Ø6 MM X 32 MM 4 X	 M6 Ø6 MM X 16 MM 24 X	 BU 1 X	 M9 Ø5 MM X 24 MM 8 X	 RY Ø9 MM X 13 MM 4 X	

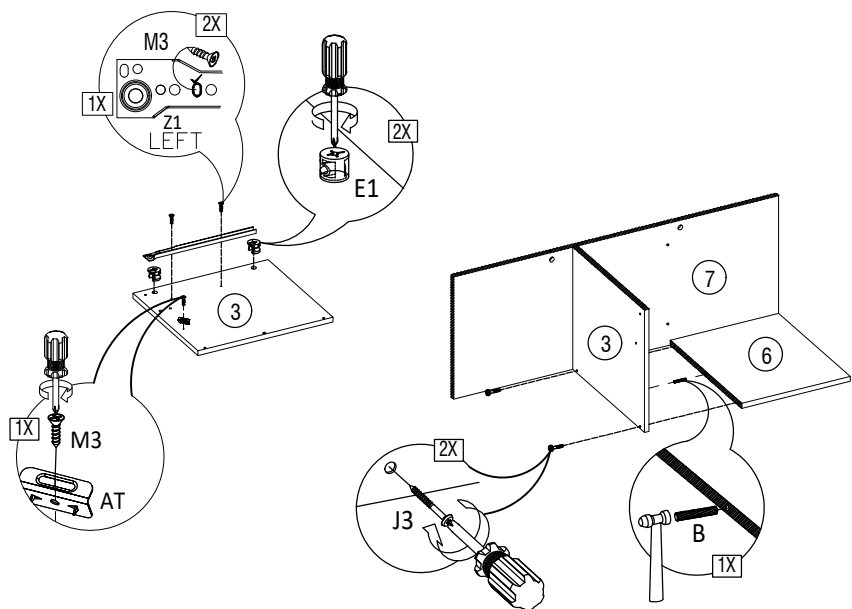


M3	AT	B	J3	E1
Ø 6 MM X 13 MM 3 X	1 X	Ø 6 X 30 MM 1 X	Ø 10 X 44 MM 4 X	Ø 12 MM X 10 MM 4 X

1



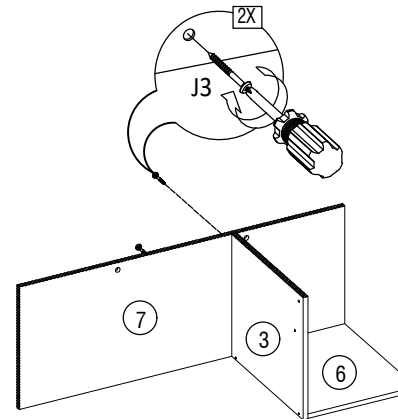
2



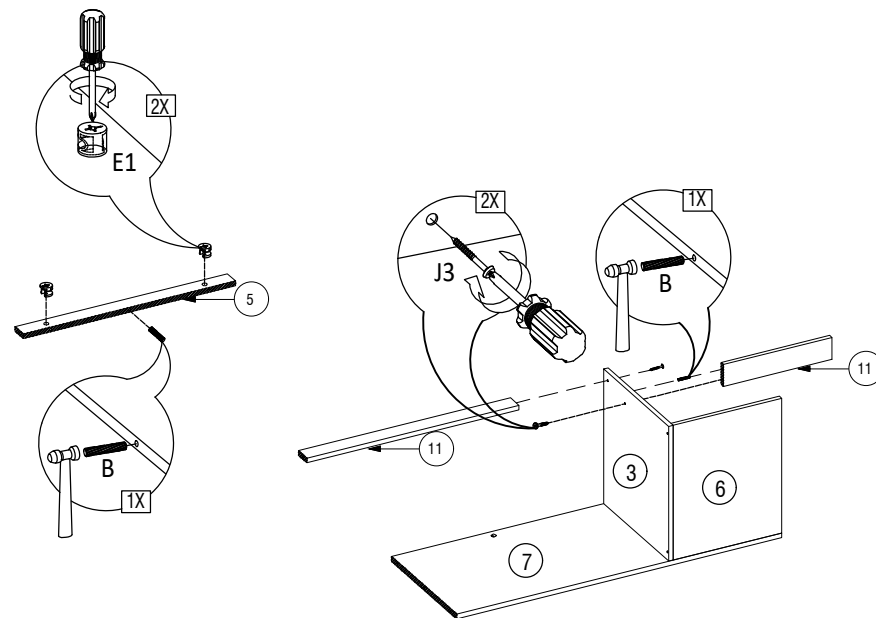
03

E1	B	J3
Ø 12 MM X 10 MM 2 X	Ø 6 X 30 MM 2 X	Ø 10 X 44 MM 4 X

3



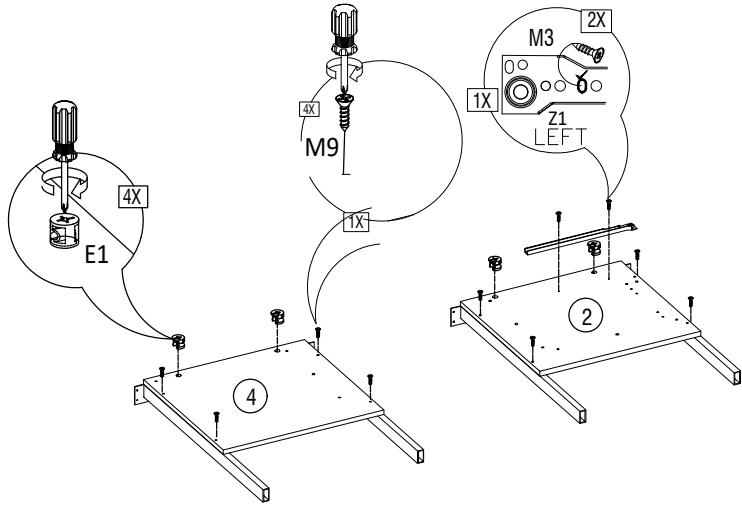
4



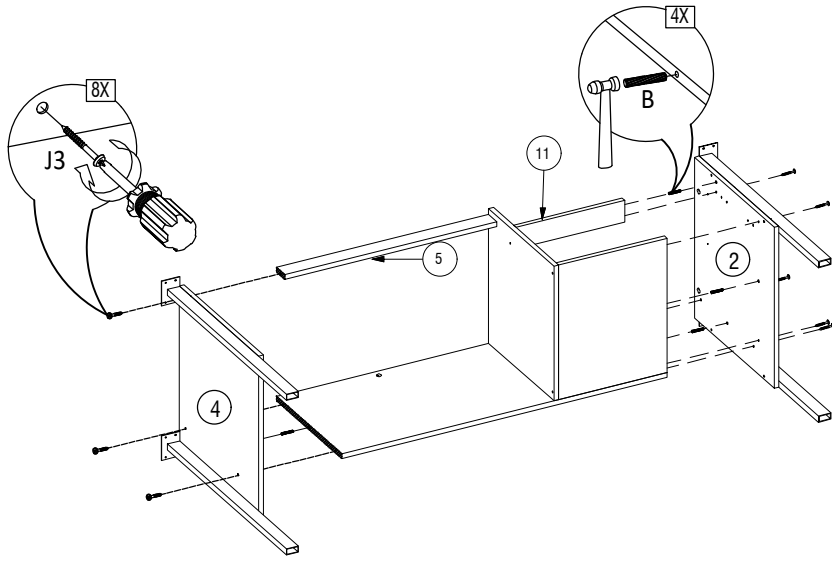
04

M9 Ø 5 MM X 24 MM 8 X	M3 Ø 6 MM X 13 MM 2 X	B Ø 6 X 30 MM 4 X	E1 Ø 12 MM X 10 MM 4 X	J3 Ø 10 X 44 MM 8 X	V8	U1 Ø 19 MM 1 X	M3 Ø 6 MM X 13 MM 5 X	AT	D 10 X	Q FULL OVERLAY 2 X
-----------------------------	-----------------------------	-------------------------	------------------------------	---------------------------	----	----------------------	-----------------------------	----	-----------	--------------------------

5

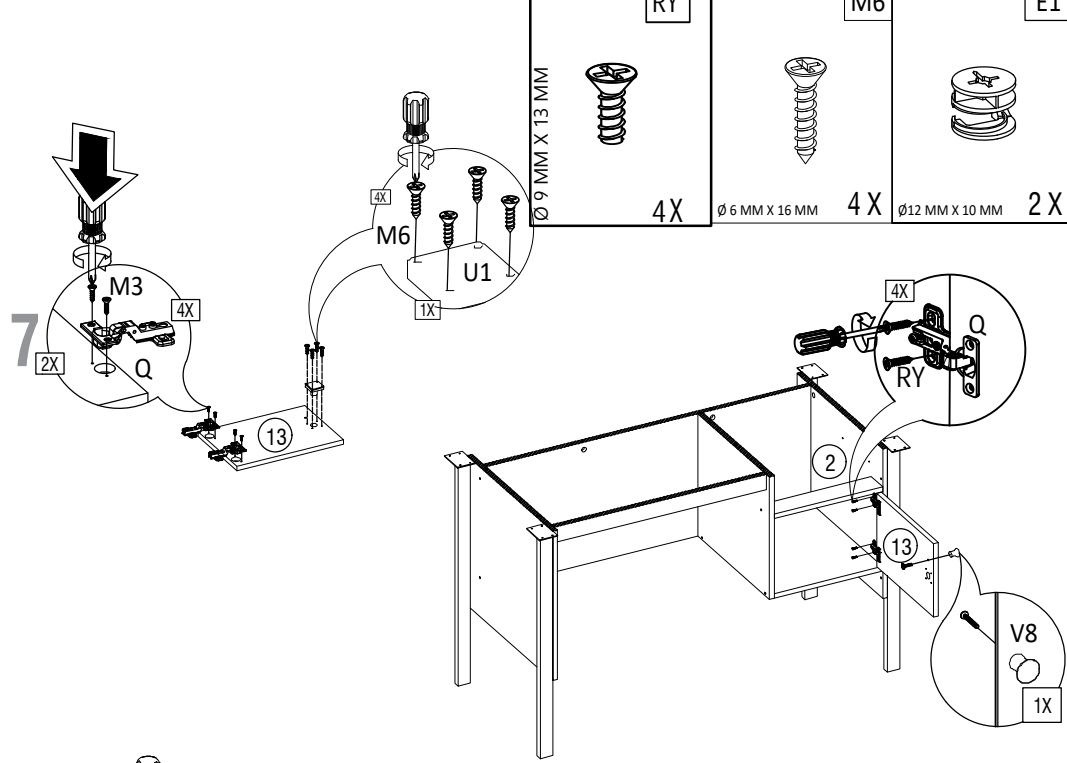


6

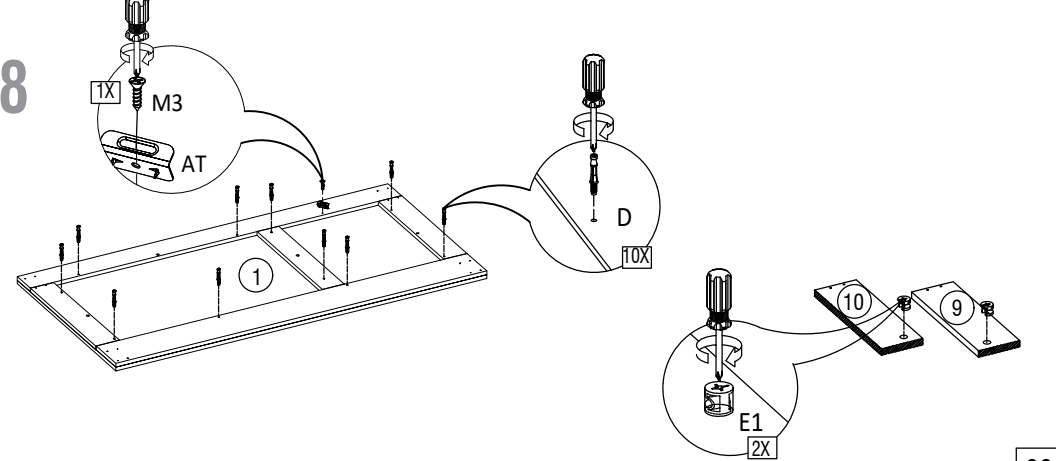


05

7



8



06

