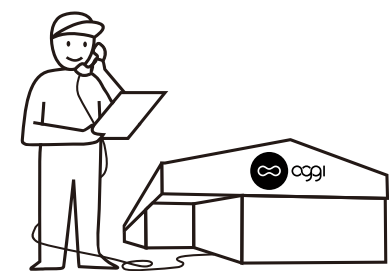
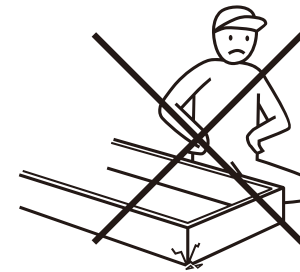
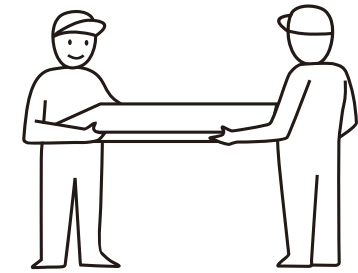
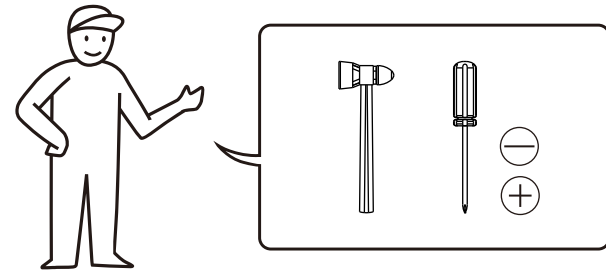
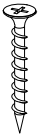








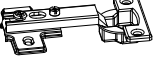

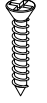

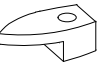

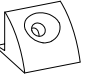


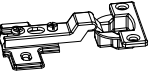

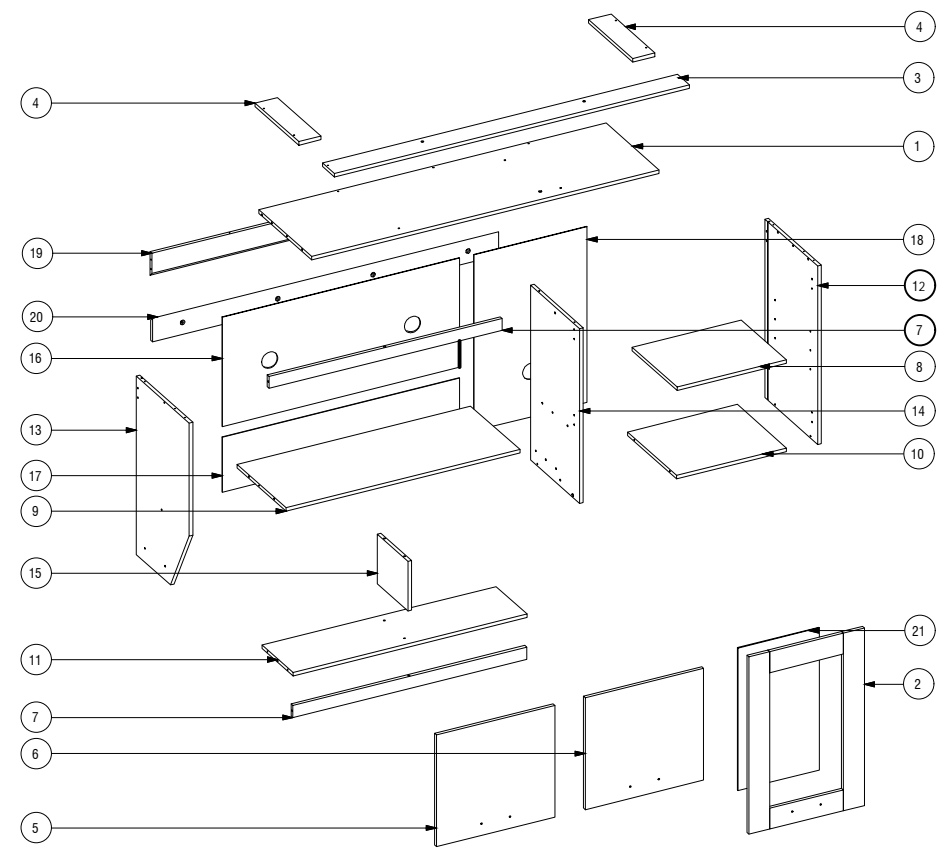




# ASSEMBLING INSTRUCTION

REA KITCHEN WALL CABINET 3D

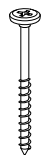





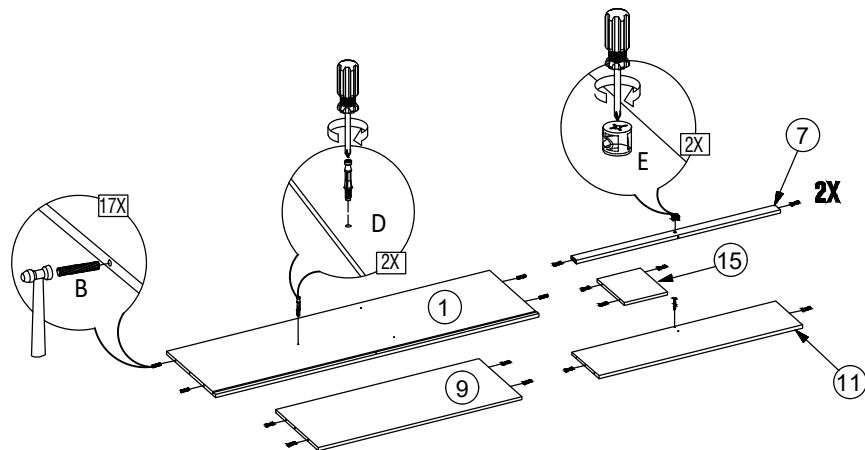
 ∅ 6 MM X 38 MM 9 X	 ∅ 10 MM X 44 MM 19 X	 ∅ 12 MM X 10 MM 2 X	 2 X	 ∅ 6 MM X 30 MM 17 X	 ∅ 6 MM X 16 MM 2 X
 4 X	 3 X	 19 MM 8 g	 INSET 4 X	 ∅ 6 MM X 13 MM 12 X	 ∅ 4 MM X 16 MM 4 X
 3 X	 10 X	 ∅ 8 MM X 32 MM 4 X	 4 X	 4 X	 ∅ 4 MM X 13 MM 10 X
 HALF OVERLAY 2 X	 ∅ 9 MM X 13 MM 12 X				



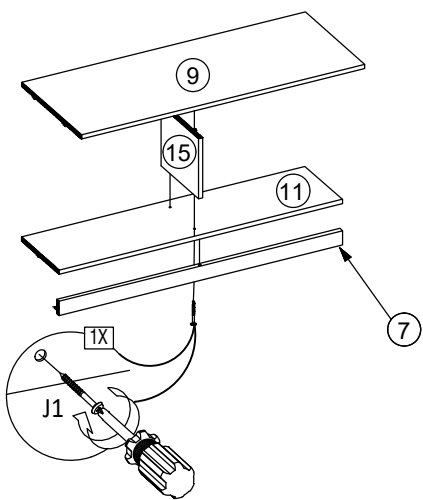
 x2 ±45 M 

1

 J1 Ø 10 MM X 44 MM 1X	 E Ø12 MM X 10 MM 2X	 D 2X	 B1 Ø6 MM X 30 MM 17X
--	---	---	--

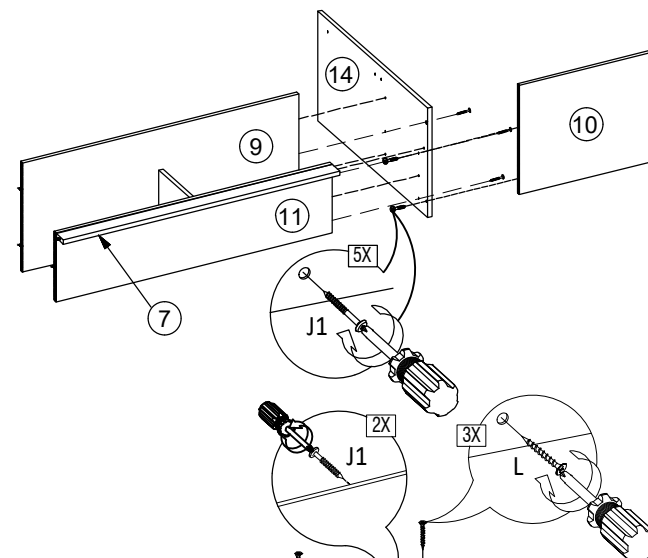


2

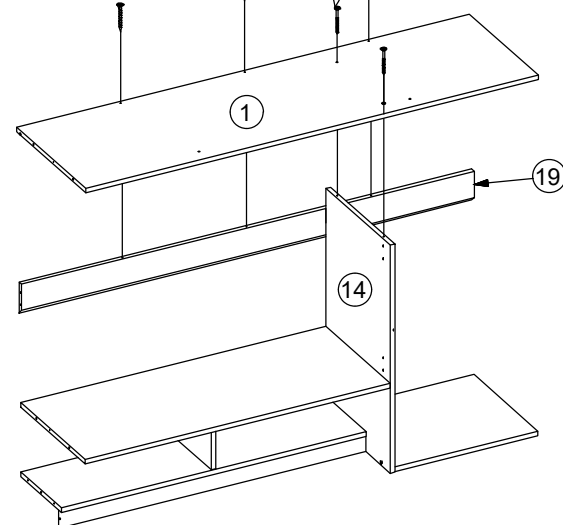


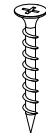

03

3

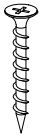

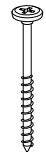



4

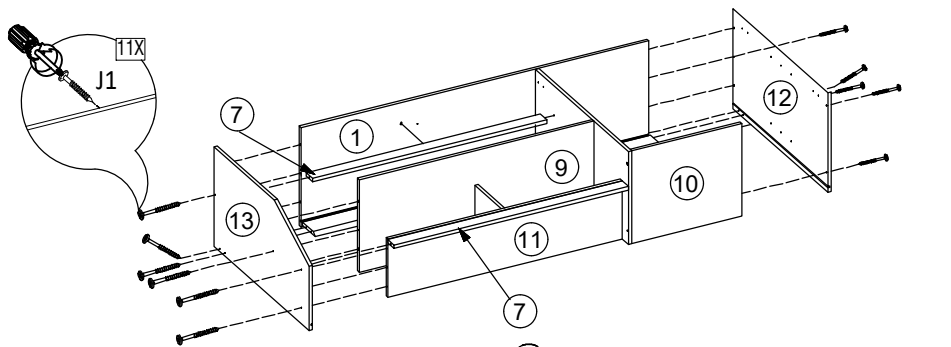


 L Ø 6 MM X 38 MM 3X	 J1 Ø 10 MM X 44 MM 7X
--	--

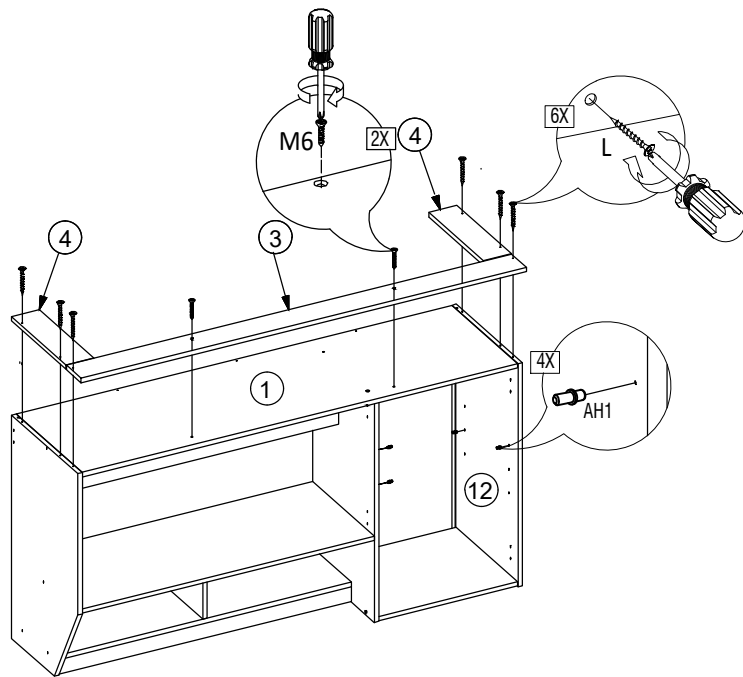
04

L	M6	J1	AH1
			
Ø 6 MM X 38 MM 6 X	Ø 6 MM X 16 MM 2 X	Ø 10 MM X 44 MM 11 X	4 X

5



6



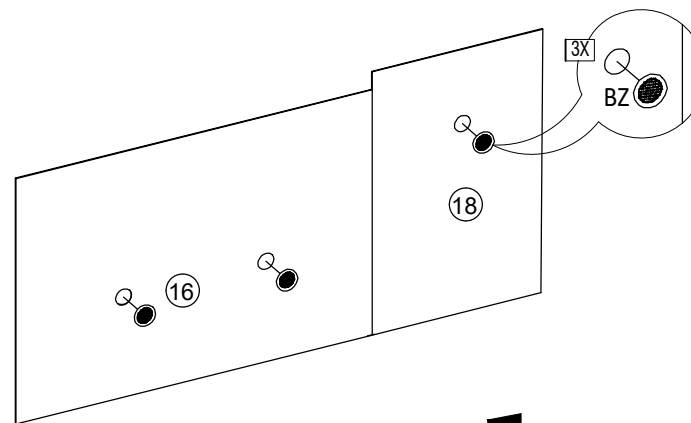
05

BZ

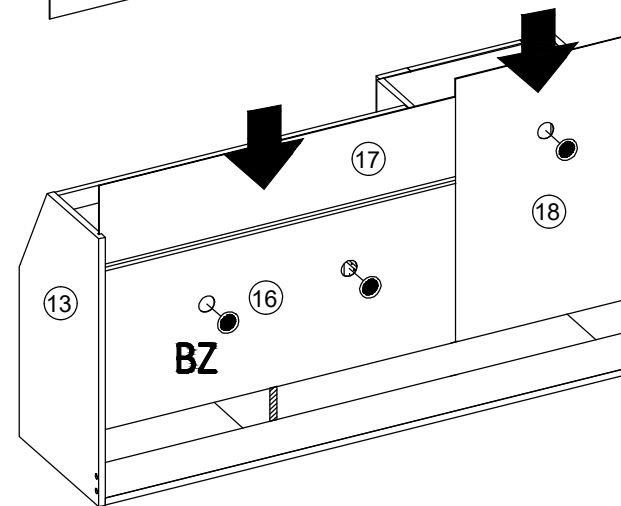


3 X


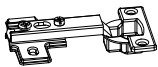


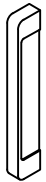


7


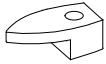
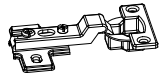


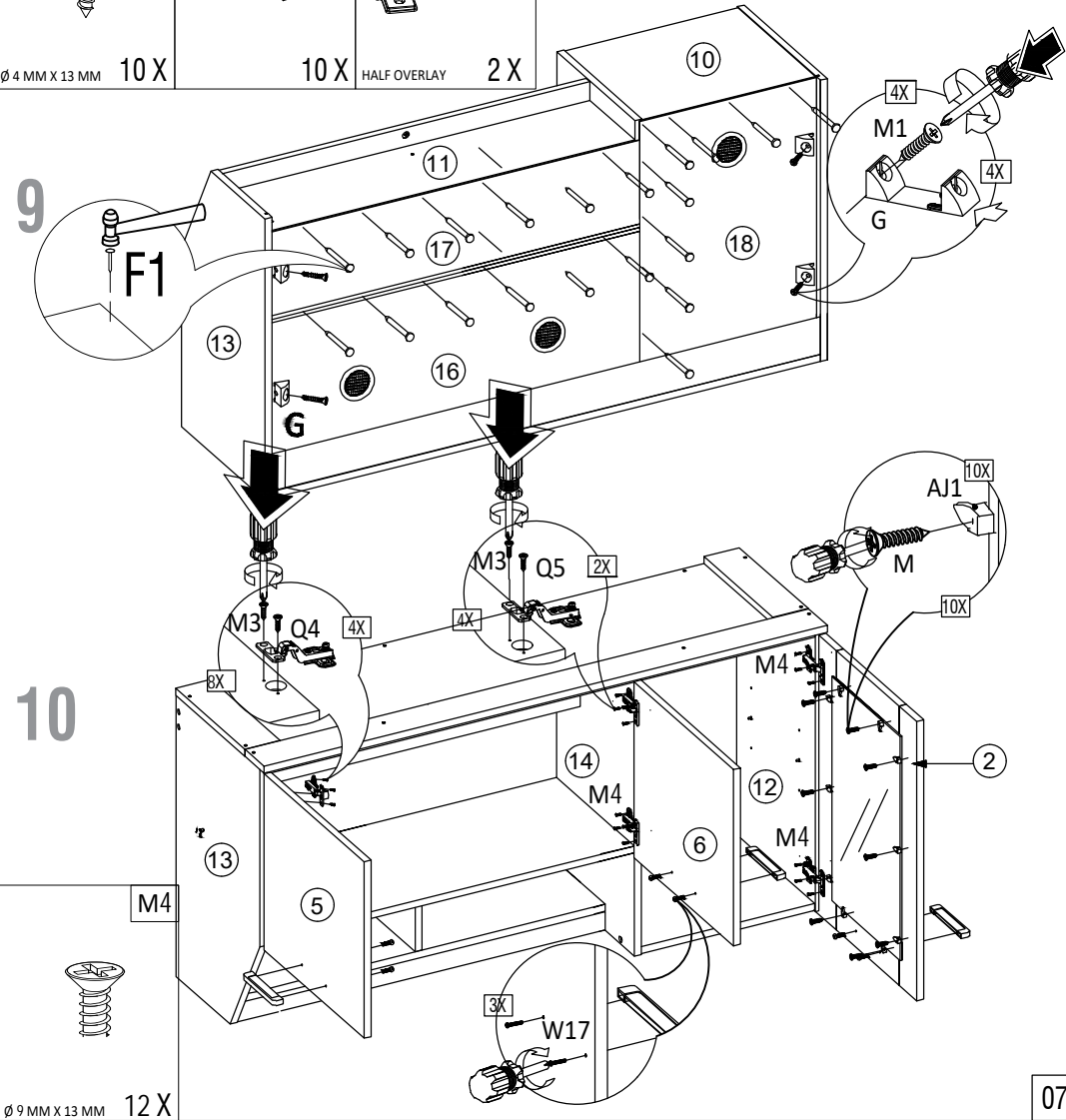
8





06

F1  19 MM 8 g	Q4  INSET 4 X	M3  Ø 6 MM X 13 MM 12 X	M1  Ø 4 MM X 16 MM 4 X	TT  3 X	W17  4 X	G  4 X
---	---	---	--	---	--	--

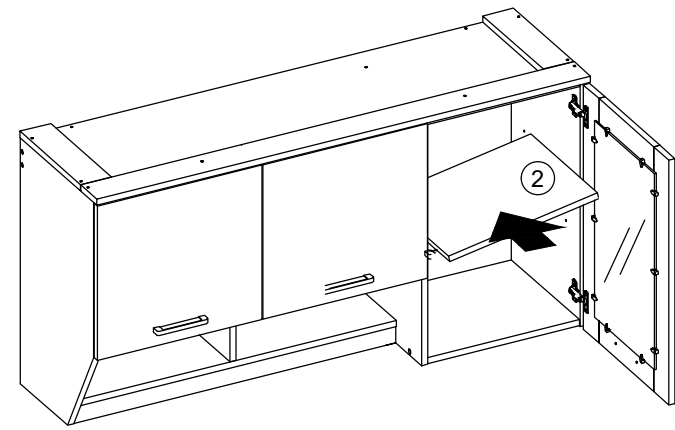
M  Ø 4 MM X 13 MM 10 X	AJ1  10 X	Q5  HALF OVERLAY 2 X
--	--	--



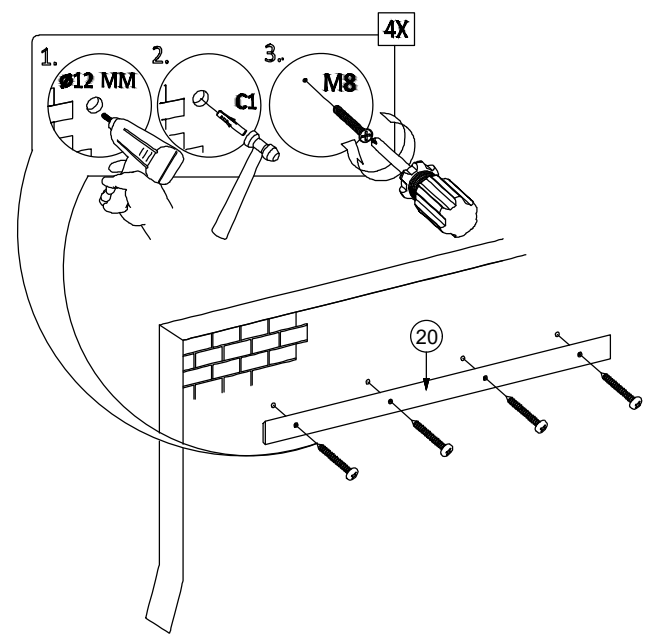
07

C1  4 X	M8  Ø 8 MM X 32 MM 4 X
---	---

11

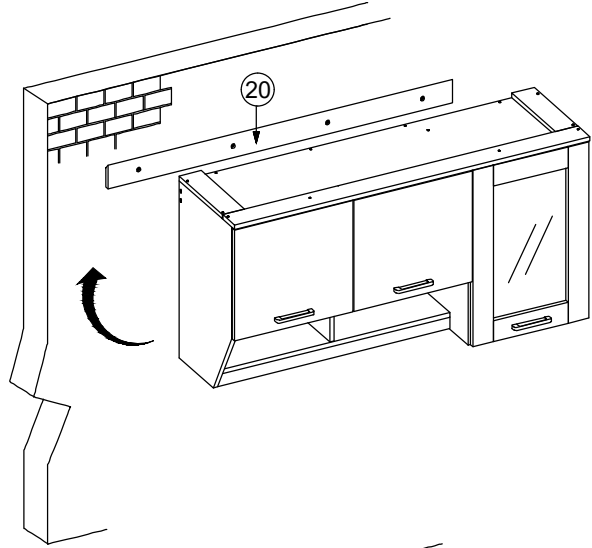


12

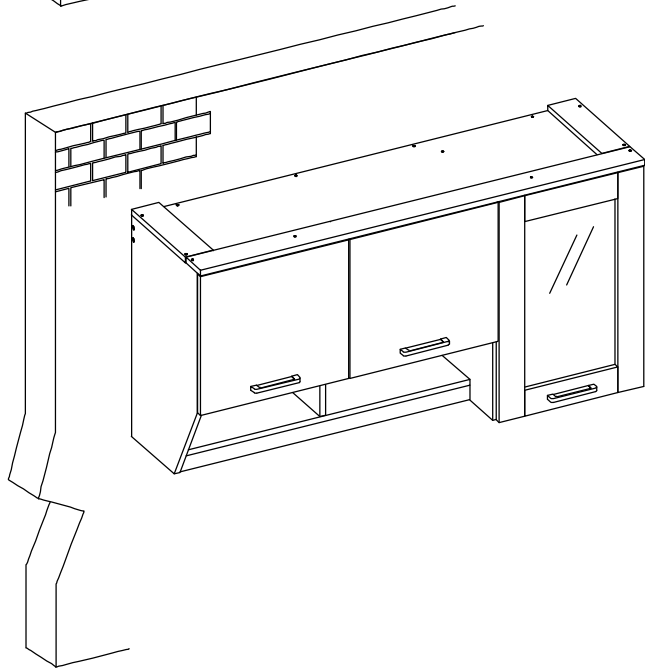


08

13



14



15

16