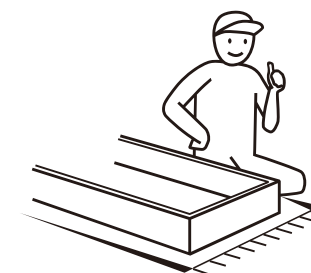
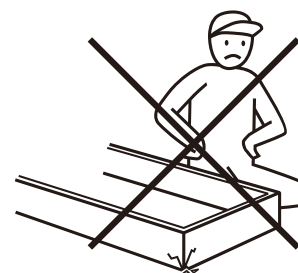
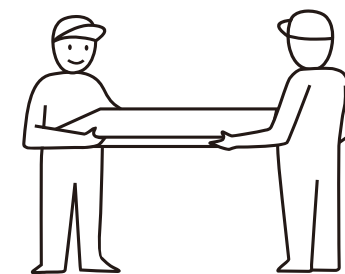
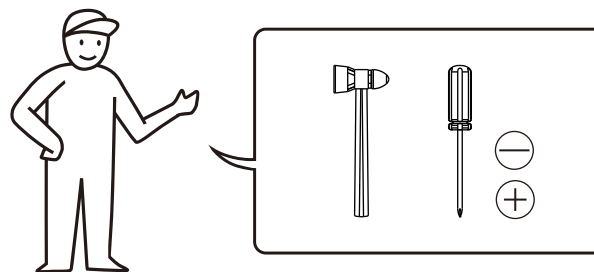
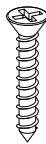
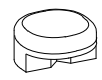

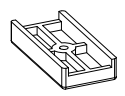
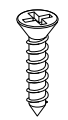

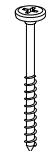

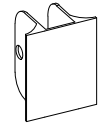
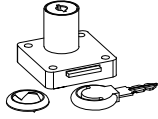

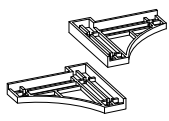
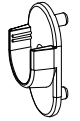

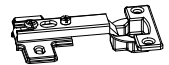

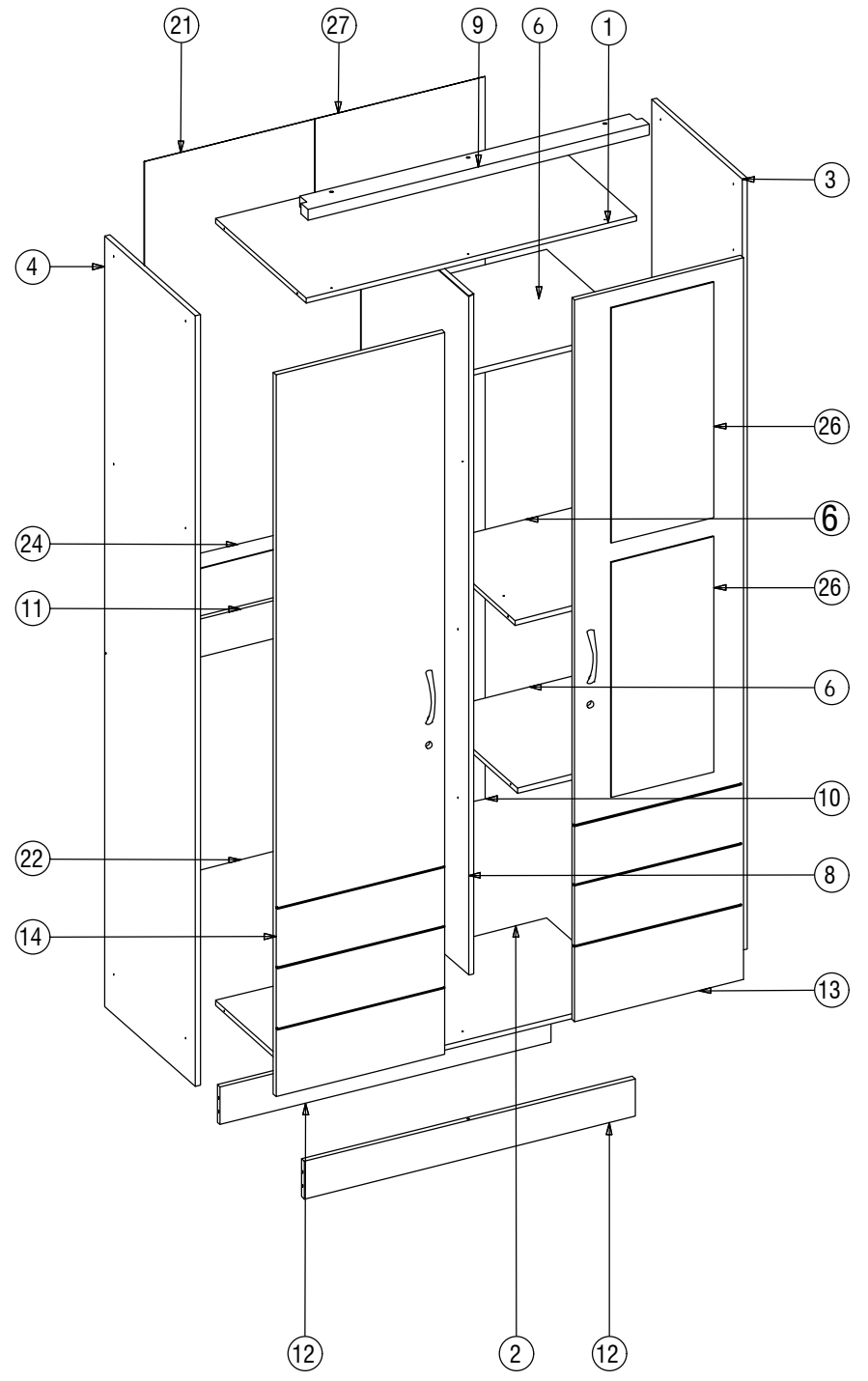




ASSEMBLING INSTRUCTION

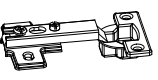


MORPHO WARDROBE 2DF



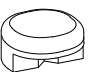



 M2 Ø 6 MM X 25 MM 3 X WHITE	 AI2 8 X	 M4 Ø 9 MM X 13 MM 12 X 12 MM 2 X	 BB6 2 X	 M6 Ø 6 MM X 16 MM 14 X	 B1 Ø 6 MM X 30 MM 12 X
 J1 Ø 10 MM X 44 MM 26 X	 M3 Ø 6 MM X 13 MM 38 X	 CA3 SAYAP BLACK 12MM 1 X	 U Ø 16 MM 2 X	 W31 2 X	
 BB 12 MM 2 SET	 AG 4 X	 F1 19 MM 8 g	 Q4 INSET 6 X	 F 13 MM 3 g	

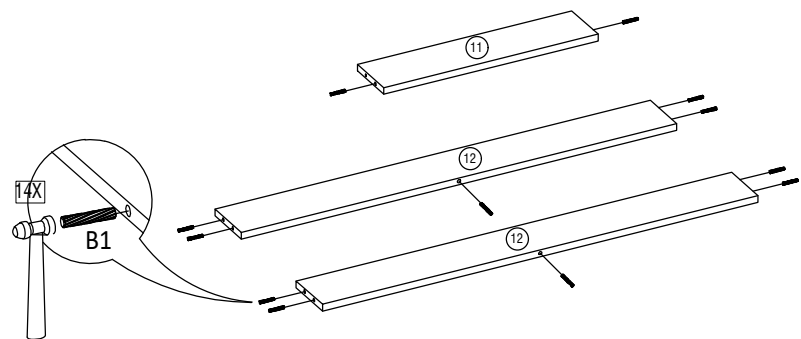


 x2 ±45 M 

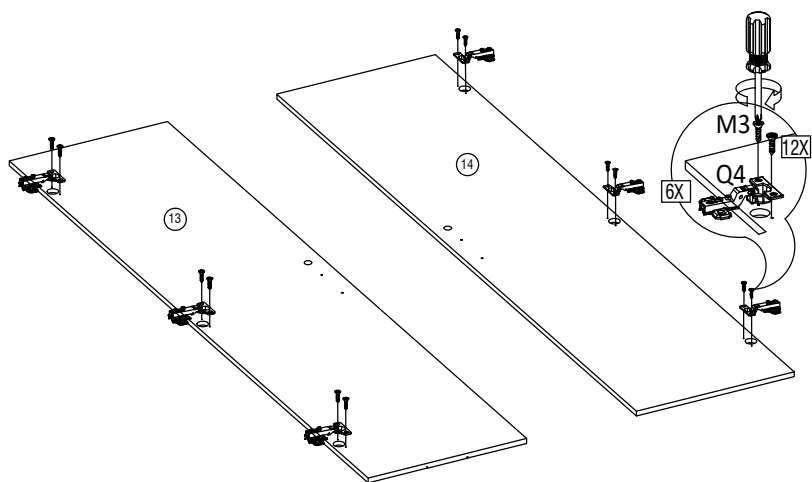
		
INSET	Ø6 MM X 30 MM	Ø 6 MM X 13 MM
6 X	12 X	12 X

			
Ø 10 MM X 44 MM	Ø 6 MM X 13 MM	WHITE	SAYAP BLACK 12MM
7 X	18 X	8 X	1 X

1

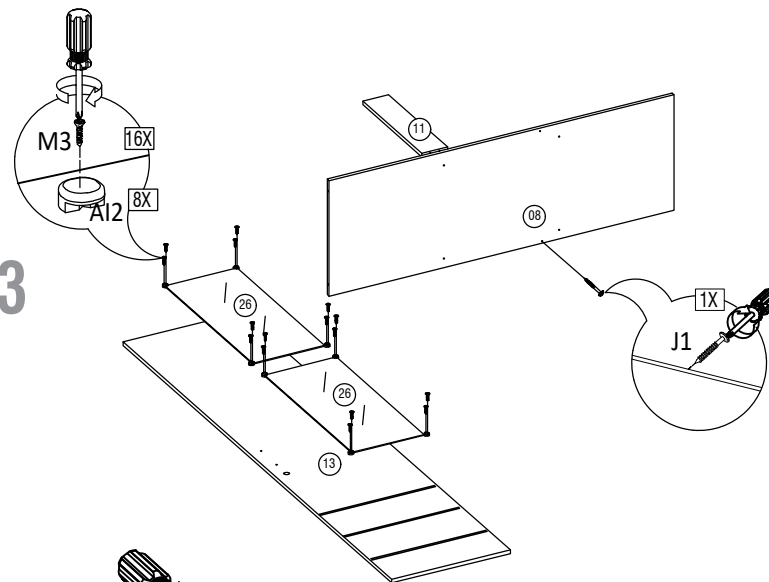


2

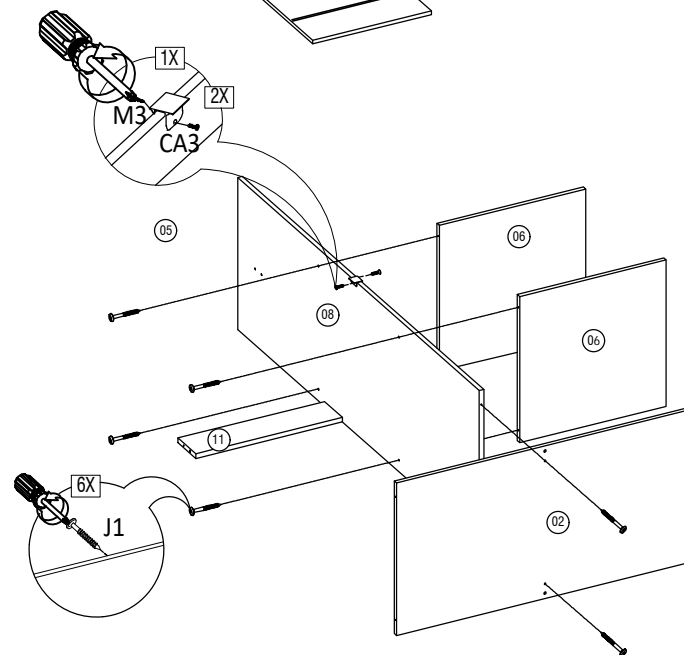


03

3

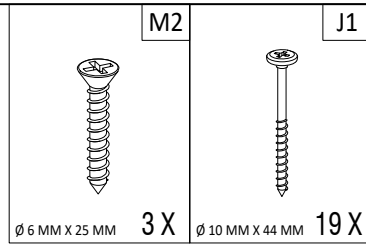
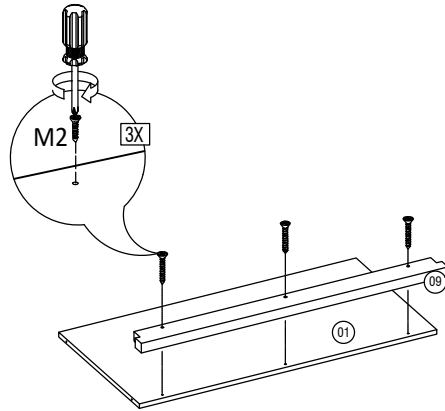


4

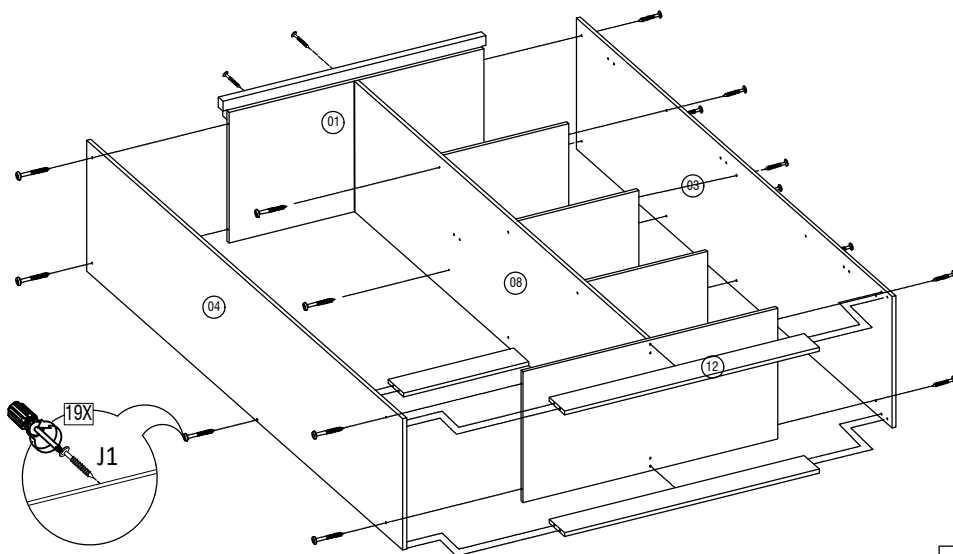


04

5

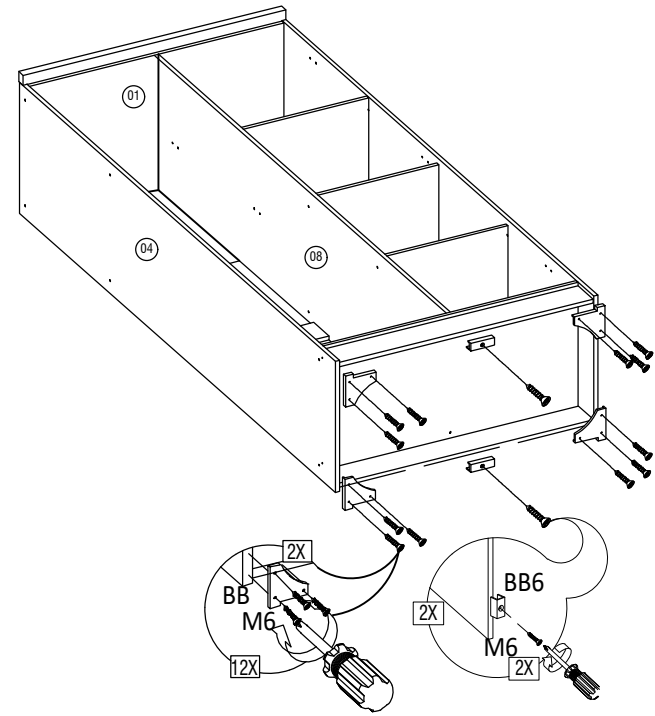


6

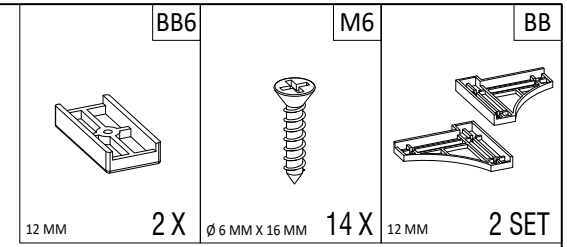





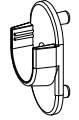
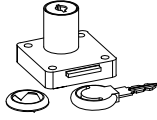
05



7



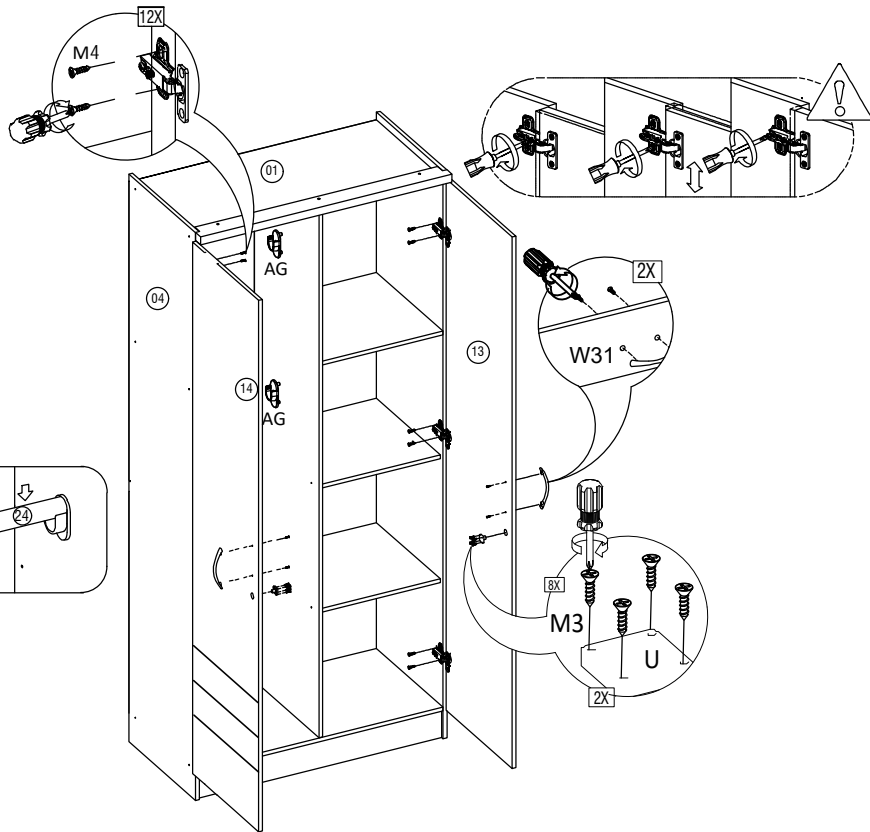
06



M4	M3	W31	AG	U
				
∅ 9 MM X 13 MM 12 X	∅ 6 MM X 13 MM 8 X	2 X	4 X	∅ 16 MM 2 X

F	F1
	
13 MM 3 g	19 MM 8 g

8



9

