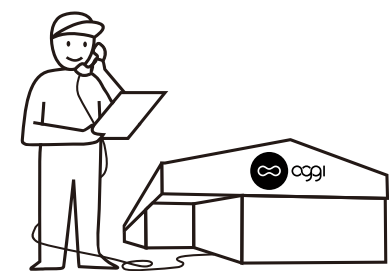
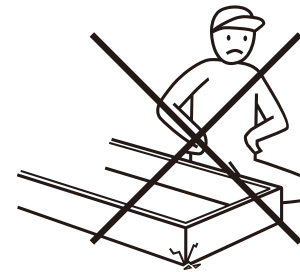
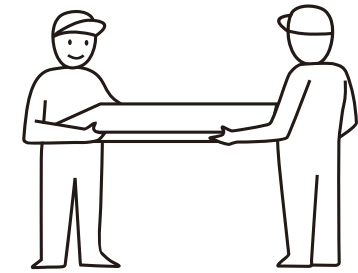
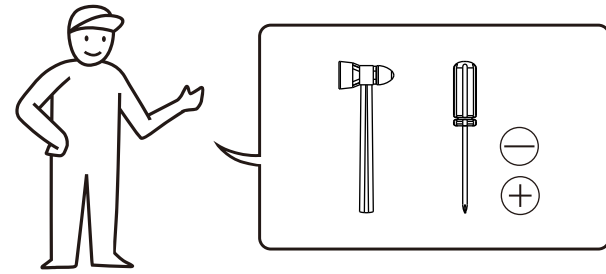
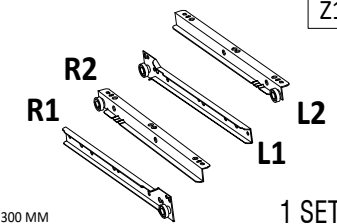


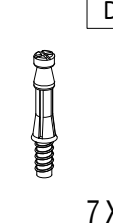
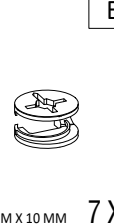
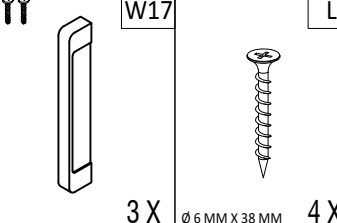
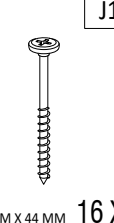
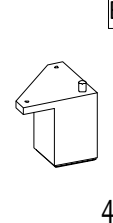

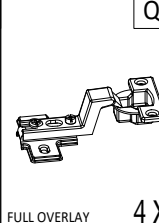
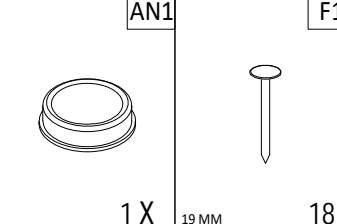
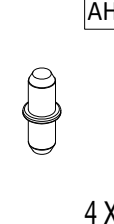

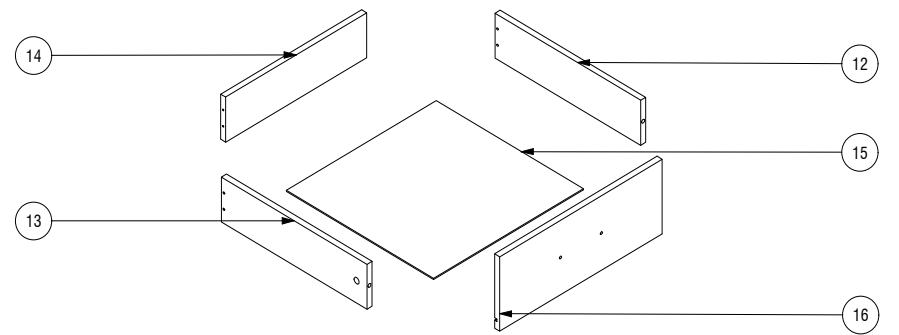
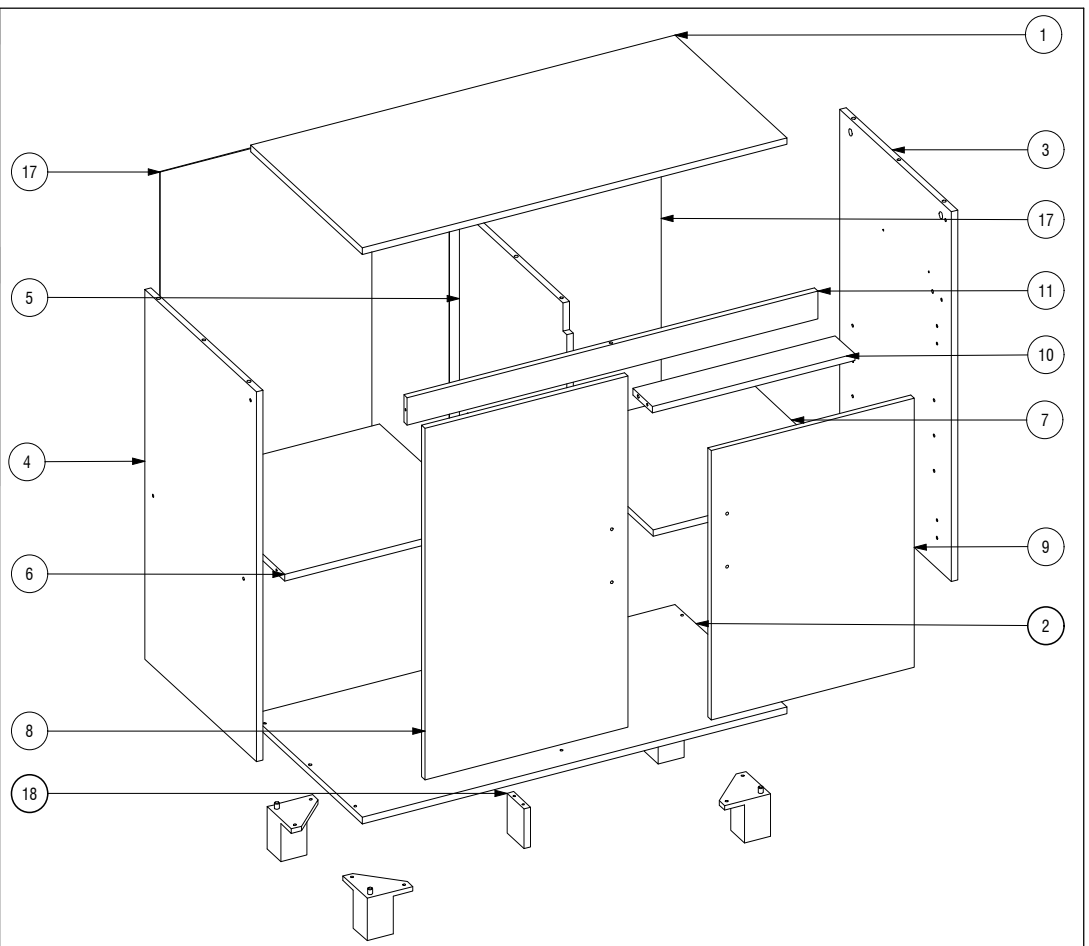




ASSEMBLING INSTRUCTION

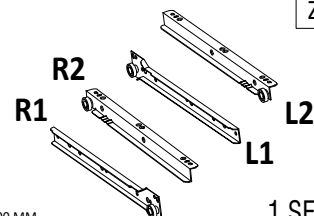





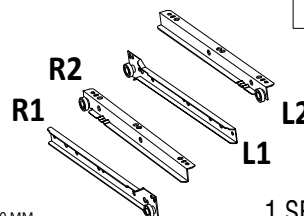


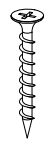
ALDO SIDEBOARD 80

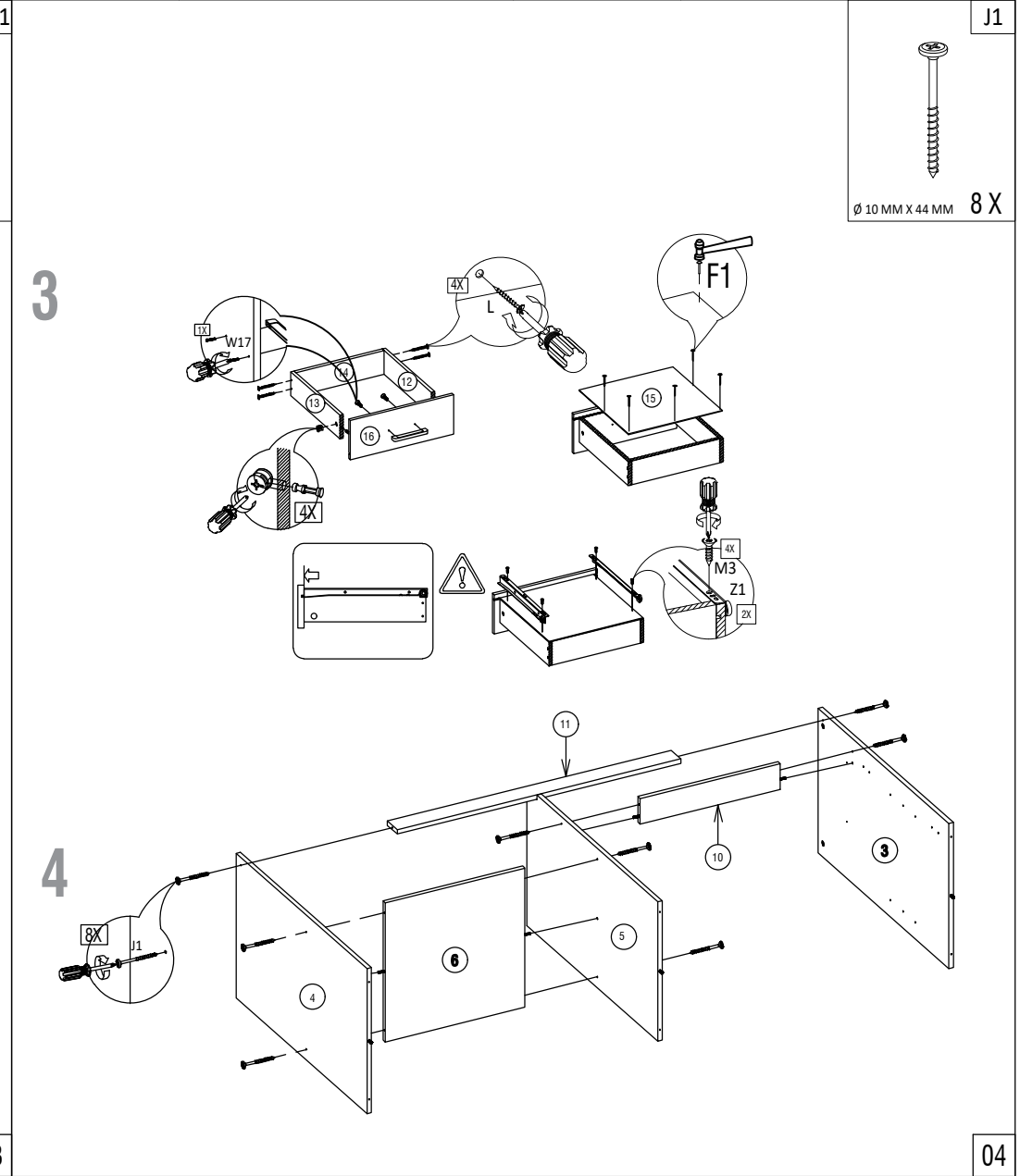
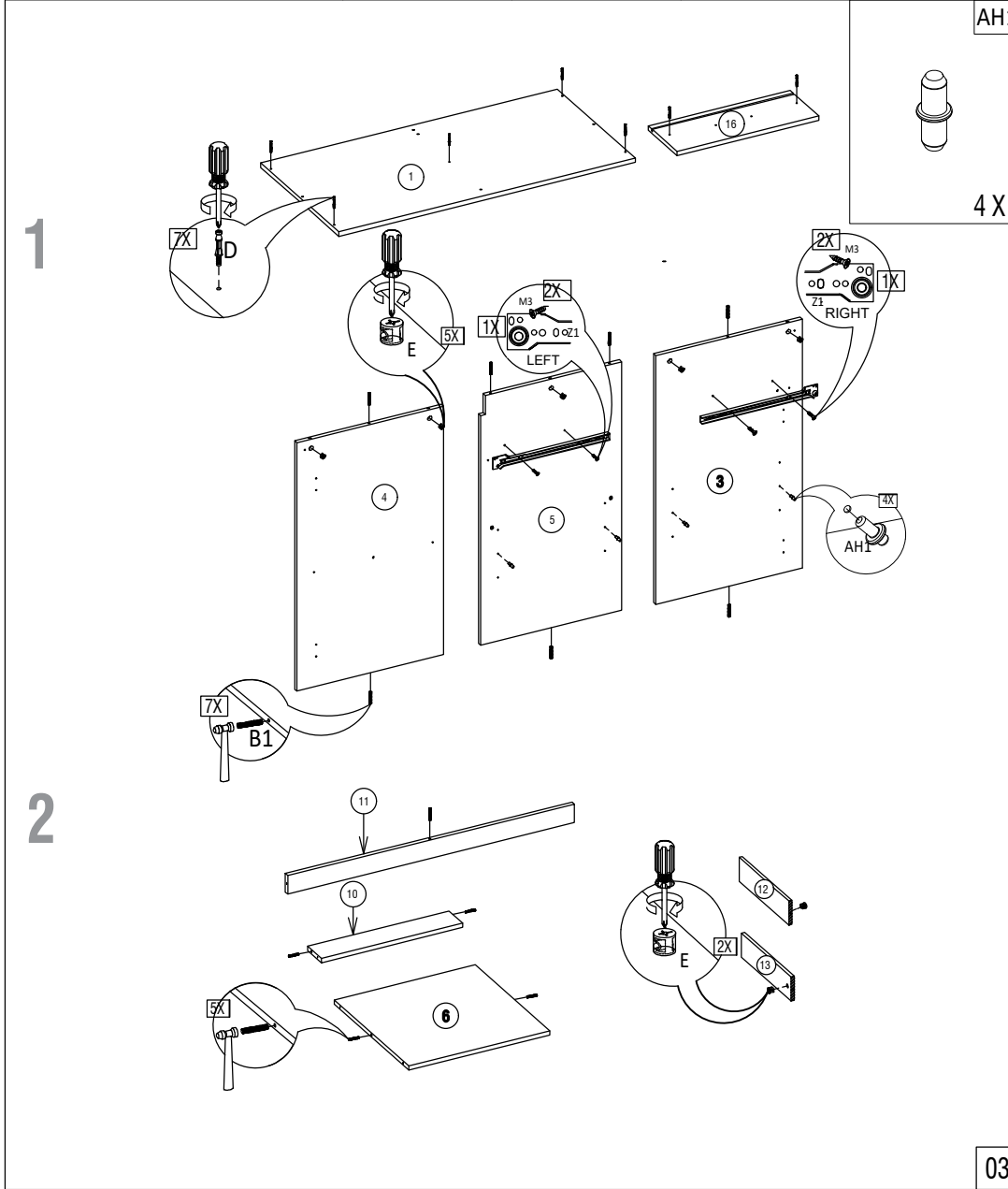


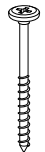

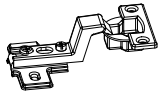



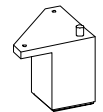
 <p>Z1 R1 R2 L1 L2 300 MM 1 SET</p>	 <p>M6 Ø 6 MM X 16 MM 8 X</p>	 <p>B1 Ø 6 MM X 30 MM 12 X</p>	 <p>D 7 X</p>	 <p>E Ø 12 MM X 10 MM 7 X</p>
 <p>W17 L 300 MM 3 X Ø 6 MM X 38 MM 4 X</p>	 <p>J1 Ø 10 MM X 44 MM 16 X</p>	 <p>BC5 BLACK 4 X</p>	 <p>M3 Ø 6 MM X 13 MM 16 X</p>	 <p>Q3 FULL OVERLAY 4 X</p>
 <p>AN1 F1 1 X 19 MM 18 g</p>	 <p>AH1 4 X</p>	 <p>M4 Ø 9 MM X 13 MM 8 X</p>		



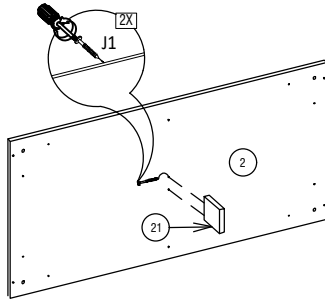
 x2 ±45 M 

 <p>Z1 R1 R2 L1 L2 300 MM 1 SET</p>	 <p>M3 Ø 6 MM X 13 MM 4 X</p>	 <p>B1 Ø 6 MM X 30 MM 12 X</p>	 <p>D 7 X</p>	 <p>E Ø 12 MM X 10 MM 7 X</p>	 <p>F1 19 MM 3 g</p>	 <p>Z1 R1 R2 L1 L2 300 MM 1 SET</p>	 <p>M3 Ø 6 MM X 13 MM 4 X</p>	 <p>W17 1 X</p>	 <p>L Ø 6 MM X 38 MM 4 X</p>
--	--	---	---	---	---	---	--	---	--

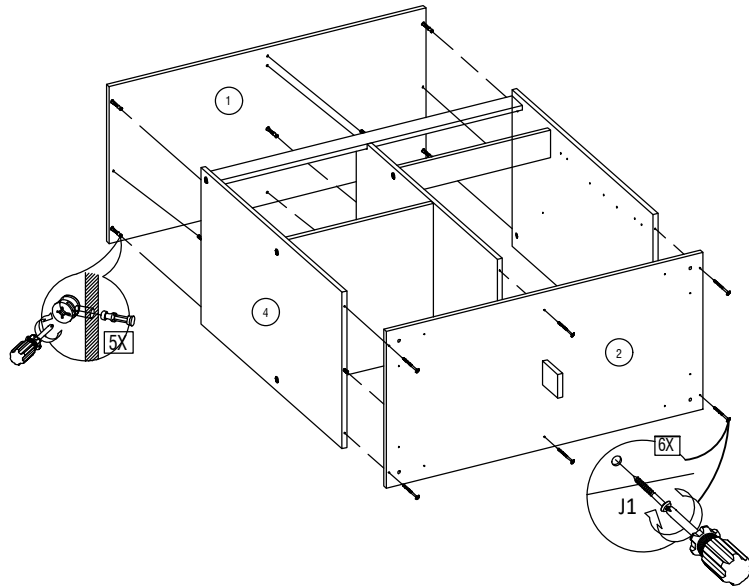


 <p>J1 Ø 10 MM X 44 MM 8 X</p>	 <p>M4 Ø 9 MM X 13 MM 8 X</p>	 <p>Q3 FULL OVERLAY 4 X</p>	 <p>M3 Ø 6 MM X 13 MM 8 X</p>	 <p>M6 Ø 6 MM X 16 MM 8 X</p>	 <p>W17 2 X BLACK</p>	 <p>BC5 4 X</p>
--	--	--	--	--	---	--

5

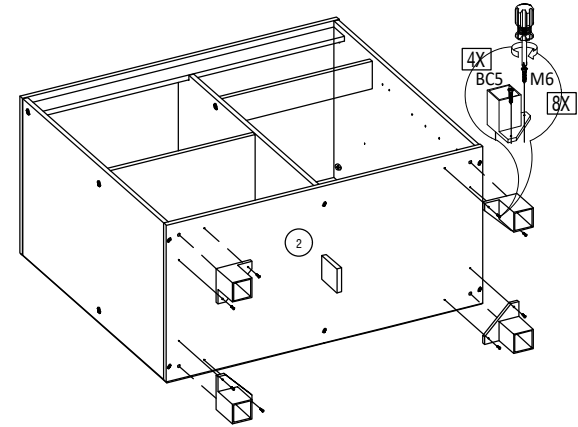


6

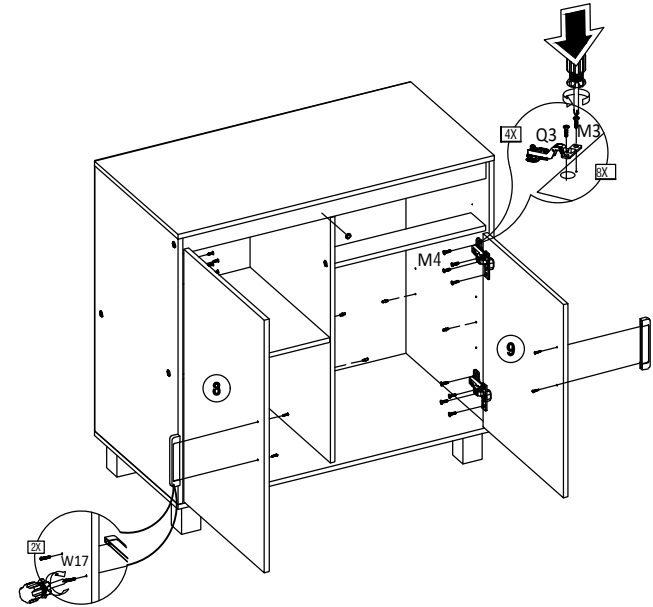


05

7

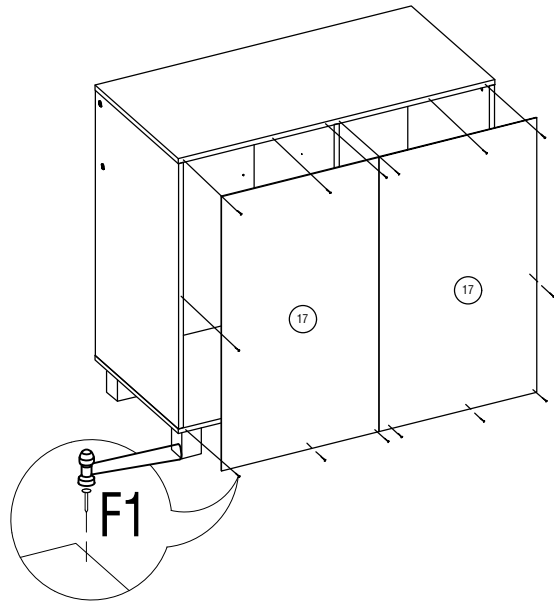


8

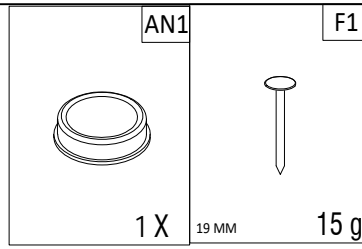
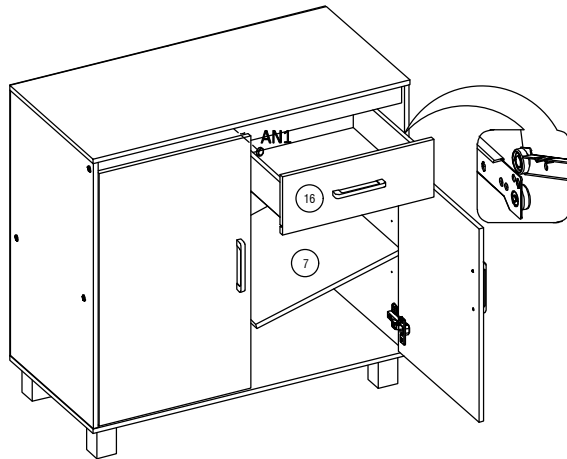


06

9



10



11

