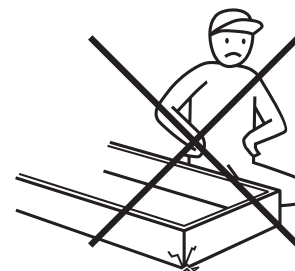
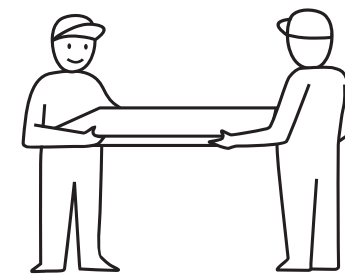
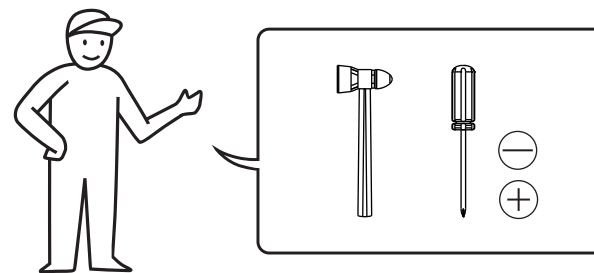



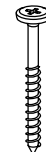

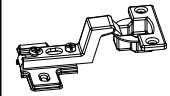
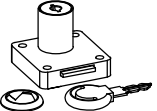




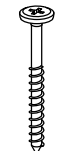
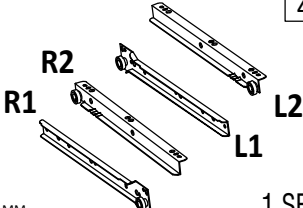



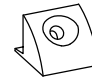
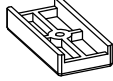

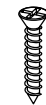



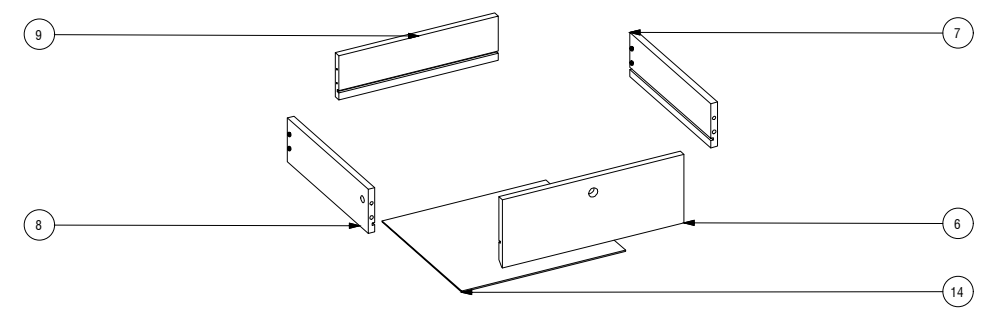
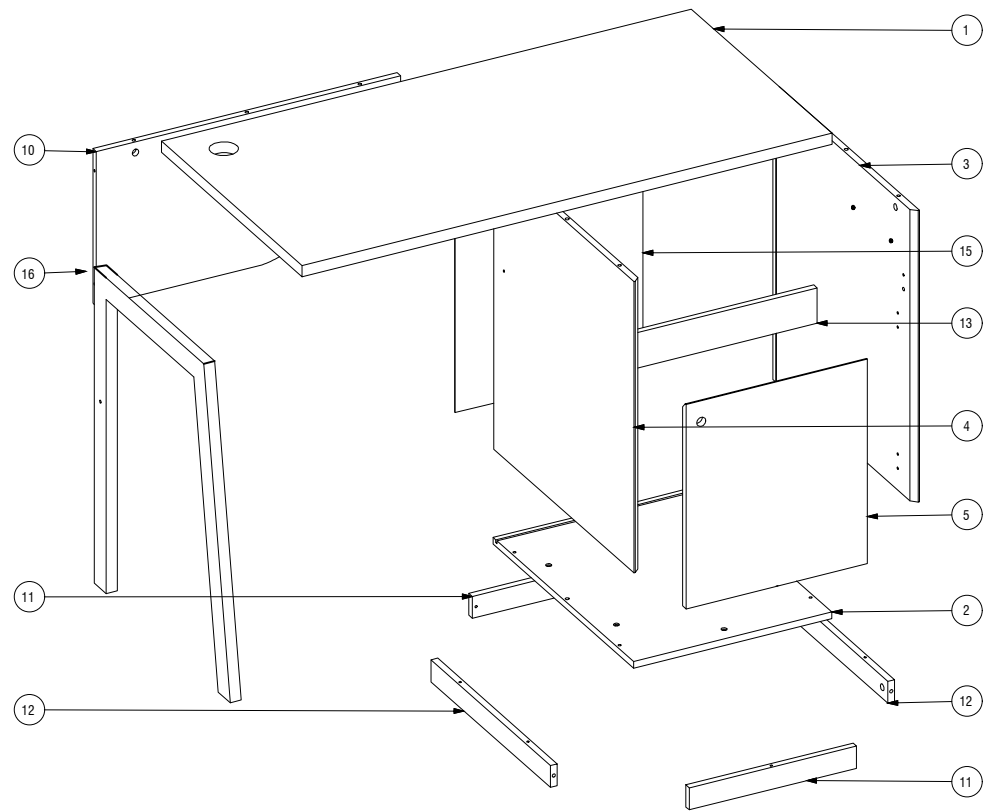
ASSEMBLING INSTRUCTION



NARA WORKING DESK 120F



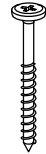
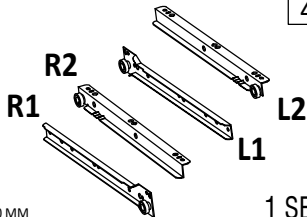




AMERICAN WALNUT-GRAPHITE

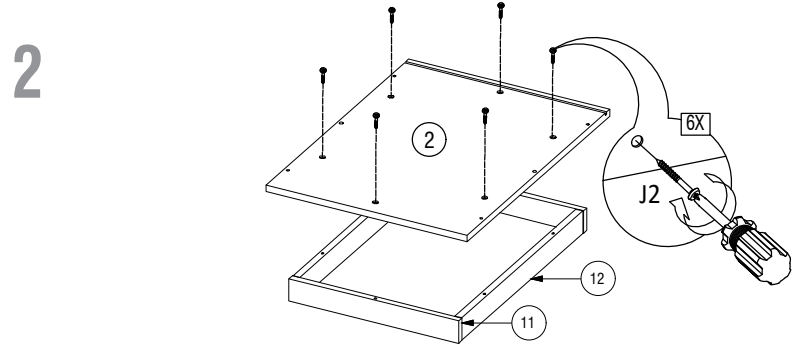
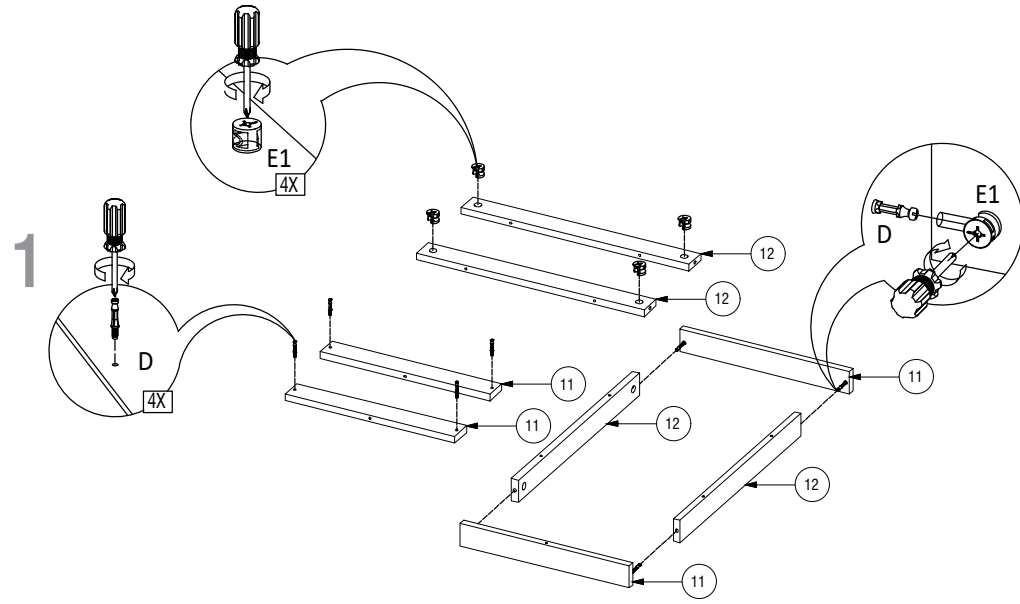


 17 X Ø15 MM X 12 MM	 17 X Ø8 X 30 MM	 7 X Ø12 X 44 MM	 10 X Ø6 MM X 32 MM	 4 X FULL OVERLAY	 2 X
 2 X Ø19 MM	 14 X Ø6 MM X 13 MM	 2 X Ø6 MM X 60 MM	 1 X OGGI	 2 X	 2 X Ø10 X 44 MM
 1 SET 350 MM	 7 X GRAPHITE	 2 X AMERICAN WALNUT	 4 X Ø9 MM X 13 MM	 8 X	
 8 X 15 MM	 16 X Ø6 MM X 16 MM	 8 X Ø4 MM X 16 MM	 1 X		

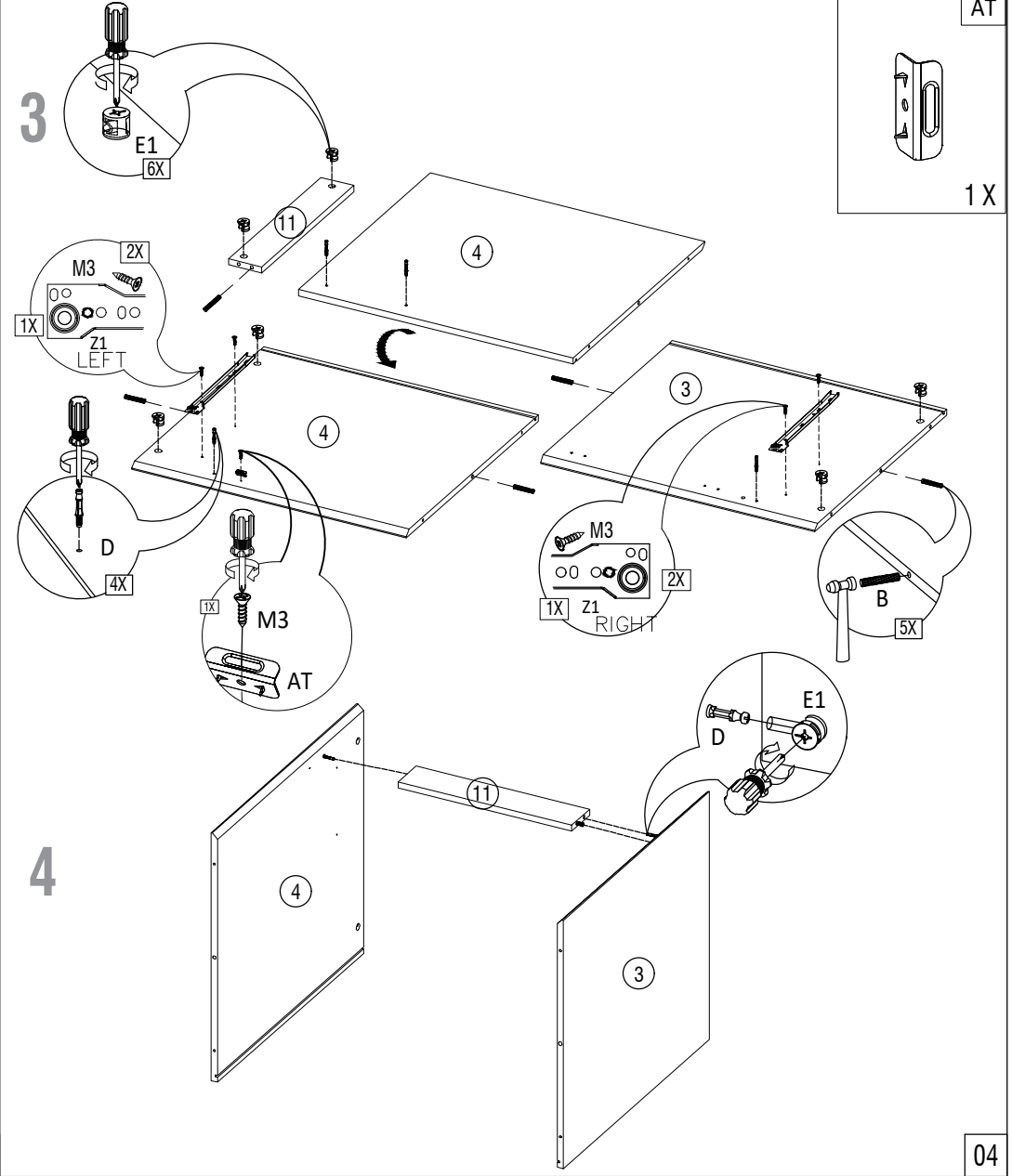


 x2 ±45 M 

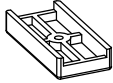



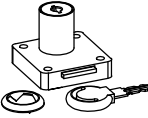

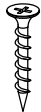


 <p>D</p> <p>4 X</p>	 <p>E1</p> <p>4 X</p> <p>Ø15 MM X 12 MM</p>	 <p>J2</p> <p>6 X</p> <p>Ø 12 X 44 MM</p>	 <p>Z1</p> <p>1 SET</p> <p>350 MM</p>	 <p>M3</p> <p>5 X</p> <p>Ø 6 MM X 13 MM</p>	 <p>B</p> <p>5 X</p> <p>Ø8 X 30 MM</p>	 <p>D</p> <p>4 X</p>	 <p>E1</p> <p>6 X</p> <p>Ø15 MM X 12 MM</p>
--	--	---	---	--	---	--	--



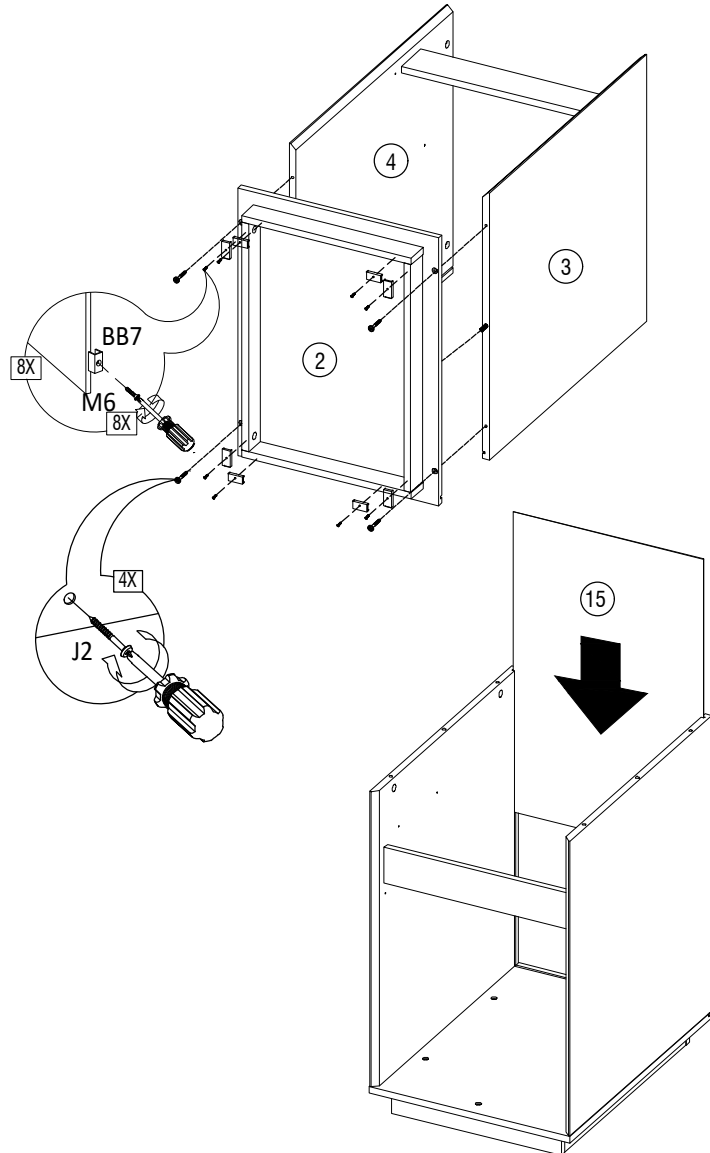
03



04

 <p>BB7</p> <p>15 MM</p> <p>8 X</p>	 <p>M6</p> <p>∅ 6 MM X 16 MM</p> <p>8 X</p>	 <p>J2</p> <p>∅ 12 X 44 MM</p> <p>4 X</p>	 <p>B</p> <p>∅ 8 X 30 MM</p> <p>2 X</p>	 <p>U1</p> <p>∅ 19 MM</p> <p>1 X</p>	 <p>M3</p> <p>∅ 6 MM X 13 MM</p> <p>4 X</p>	 <p>L1</p> <p>∅ 6 MM X 32 MM</p> <p>4 X</p>	 <p>D</p> <p>2 X</p>	 <p>E1</p> <p>∅ 15 MM X 12 MM</p> <p>2 X</p>
--	--	---	--	---	--	--	--	---

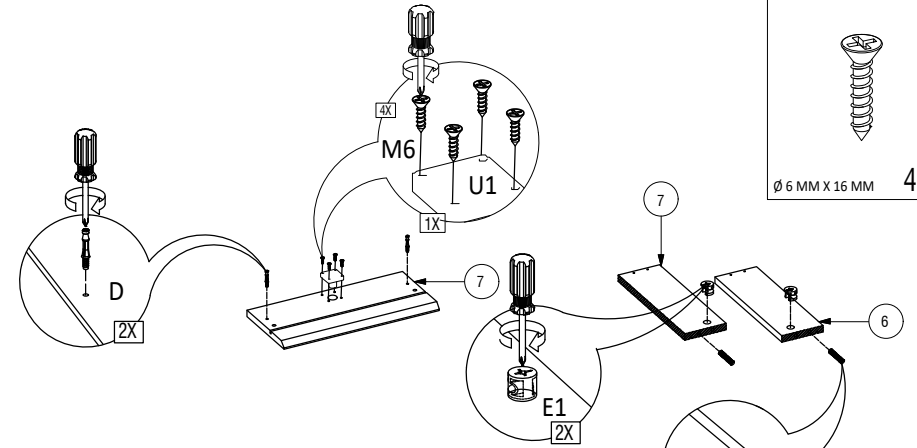
5



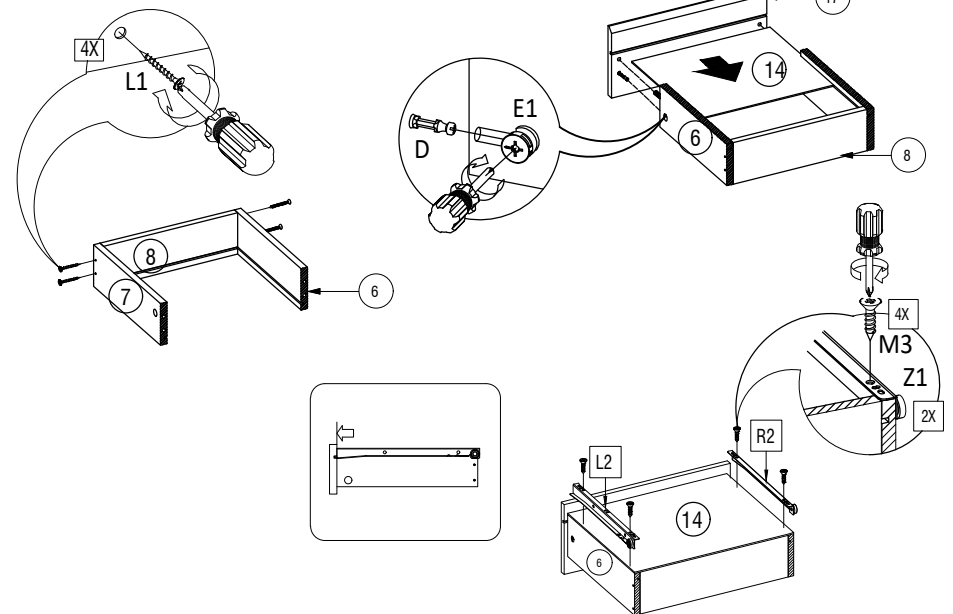
6

05

7




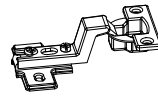

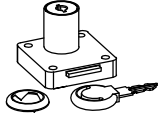

8

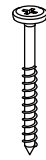


M6

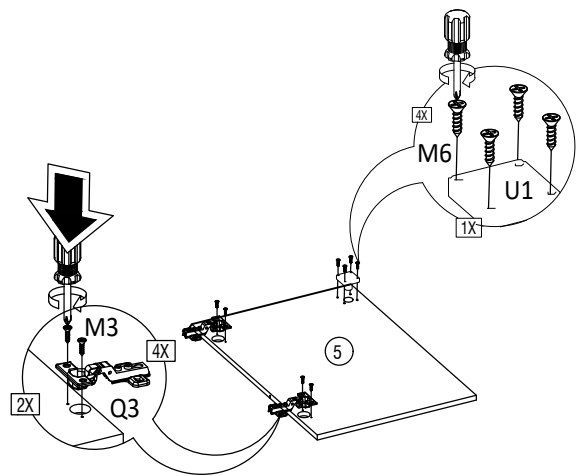
∅ 6 MM X 16 MM 4 X

06

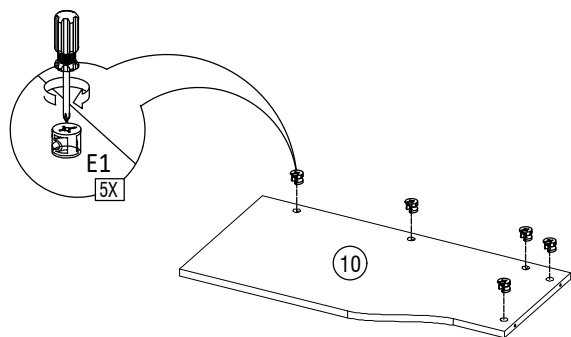
<p>M6</p>  <p>Ø 6 MM X 16 MM 4 X</p>	<p>Q3</p>  <p>FULL OVERLAY 2 X</p>	<p>E1</p>  <p>Ø15 MM X 12 MM 5 X</p>	<p>U1</p>  <p>Ø19 MM 1 X</p>	<p>M3</p>  <p>Ø 6 MM X 13 MM 4 X</p>
---	---	---	---	--

<p>J</p>  <p>Ø 10 X 44 MM 2 X</p>

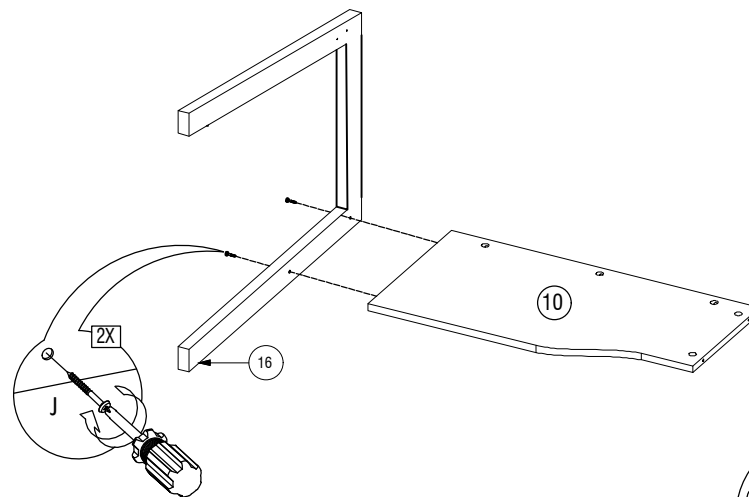
9



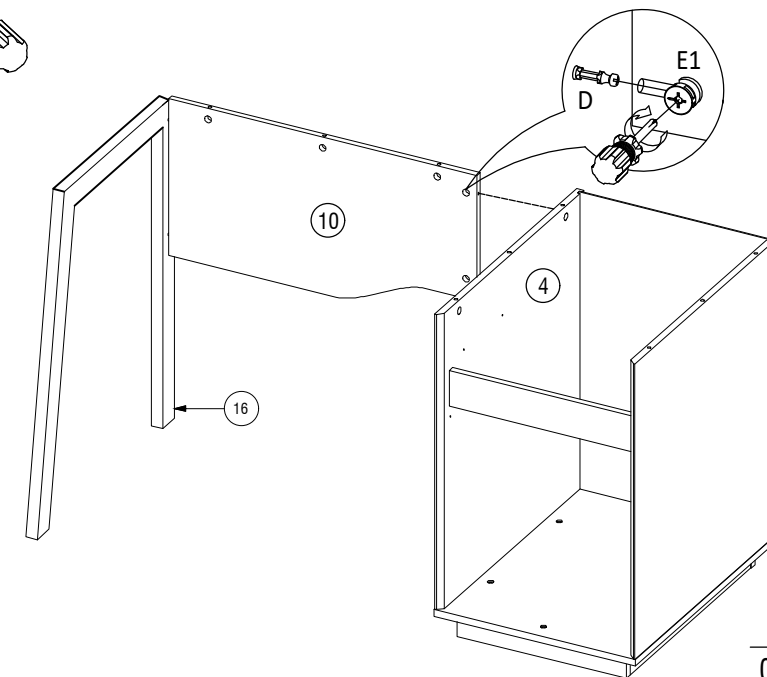
10







11

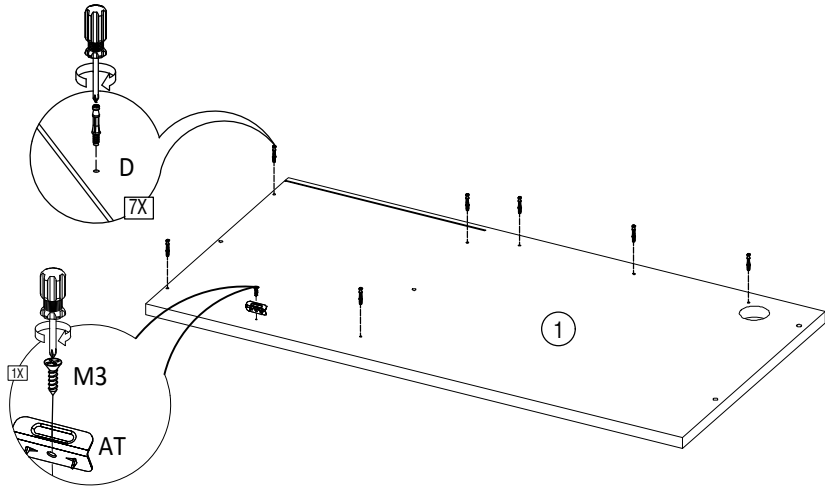


12

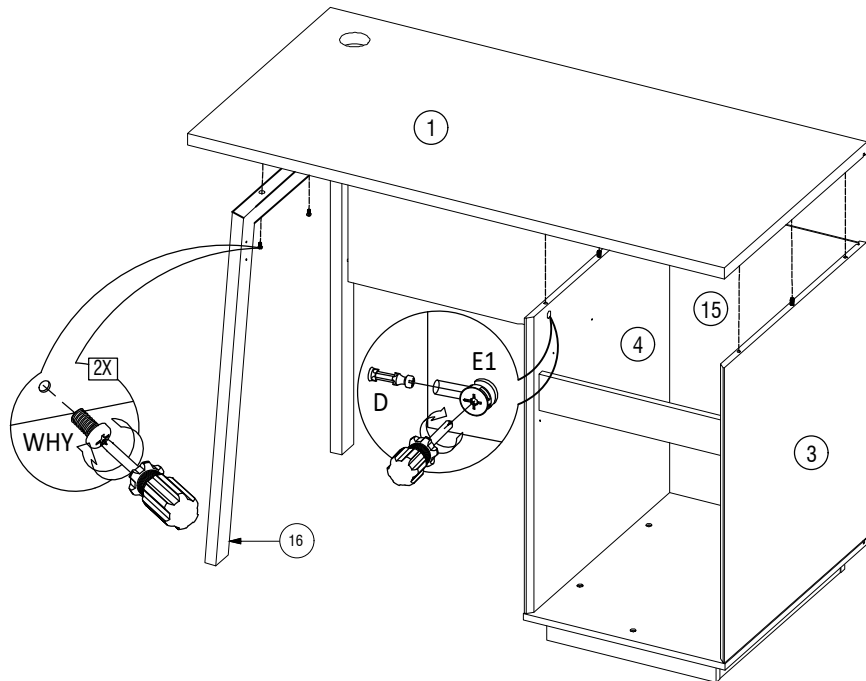


13

			
Ø 6 MM X 13 MM 1X	Ø 6 MM X 60 MM 2X	7X	1X

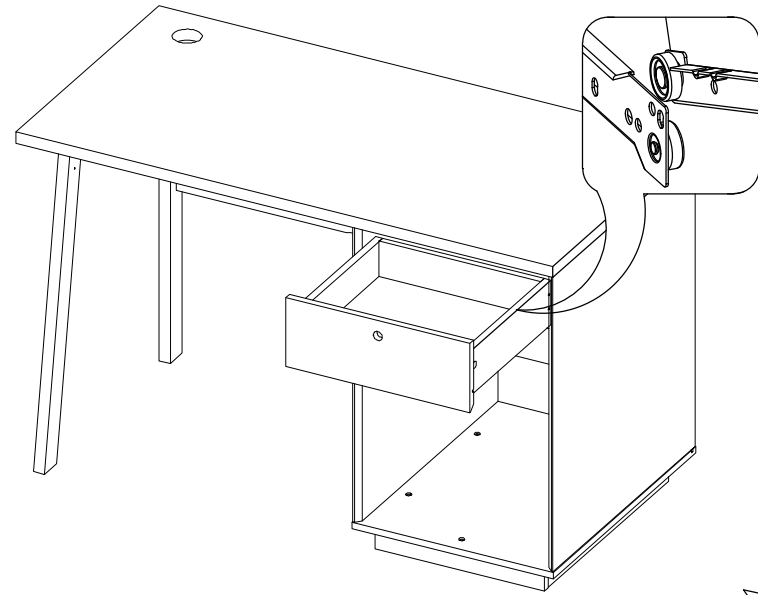



14



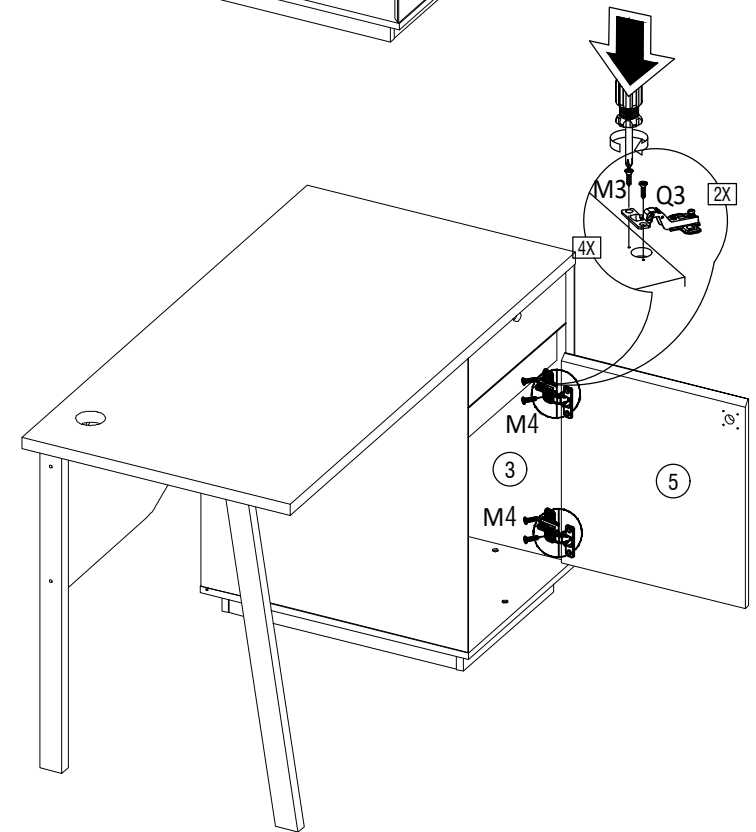
09

15

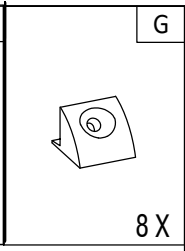
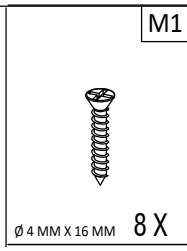



Ø 9 MM X 13 MM 4X

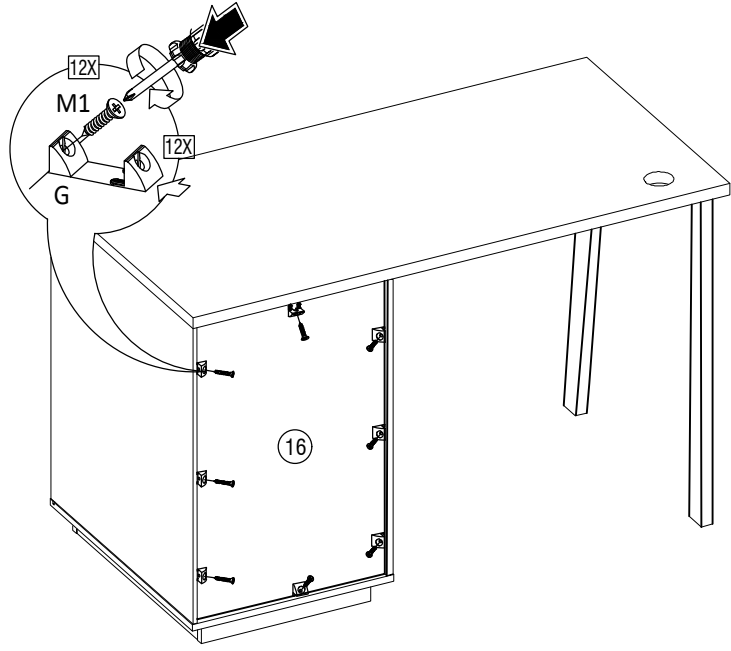
16



10



17



19

18

20