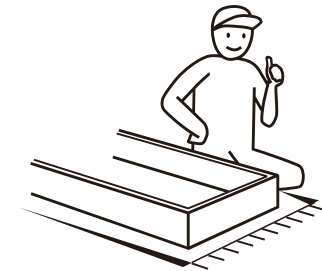
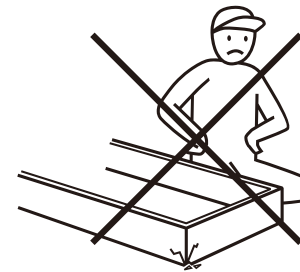
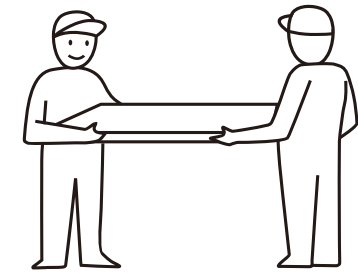
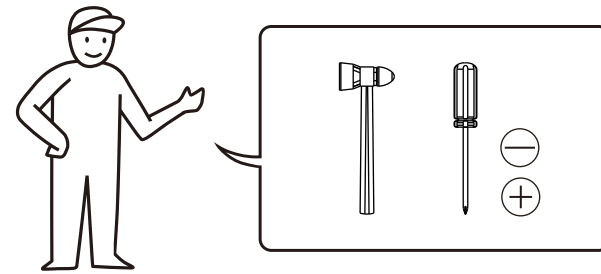


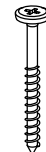



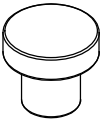
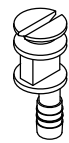






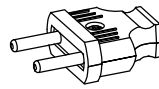
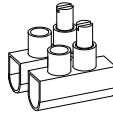






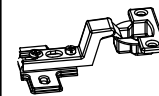
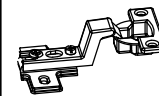


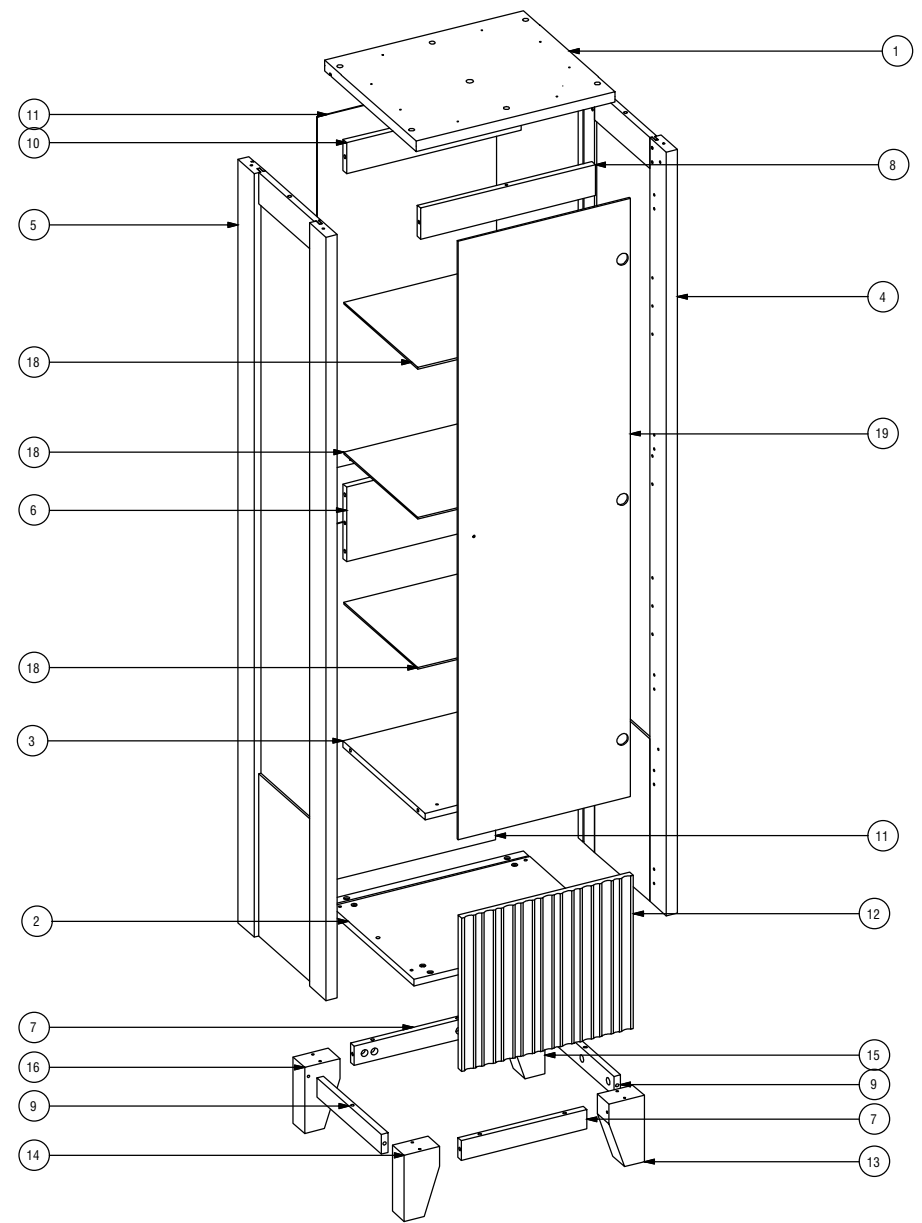
ASSEMBLING INSTRUCTION



DENVER SHOWCASE 1D









BEIGE - AMERICAN WALNUT

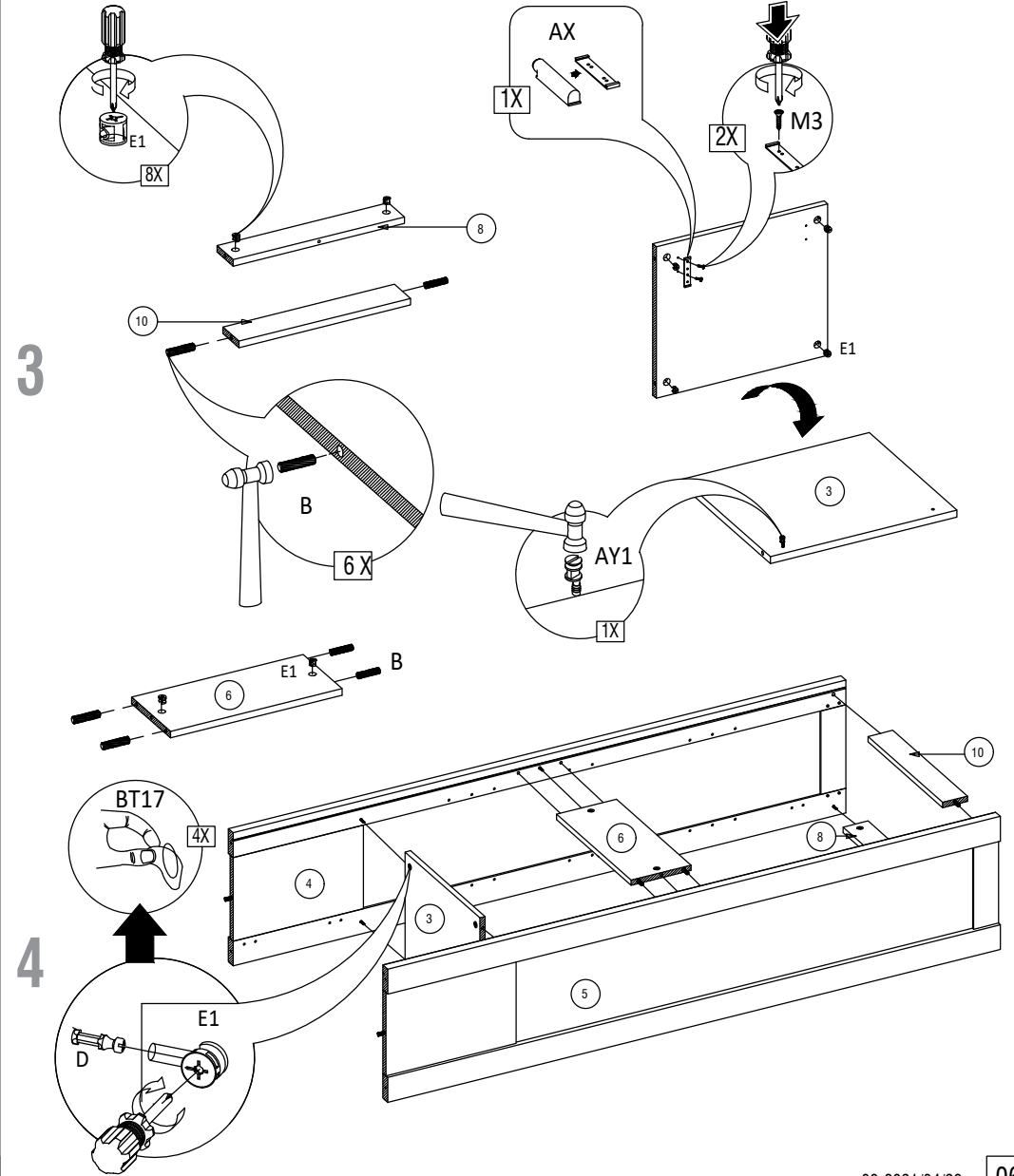
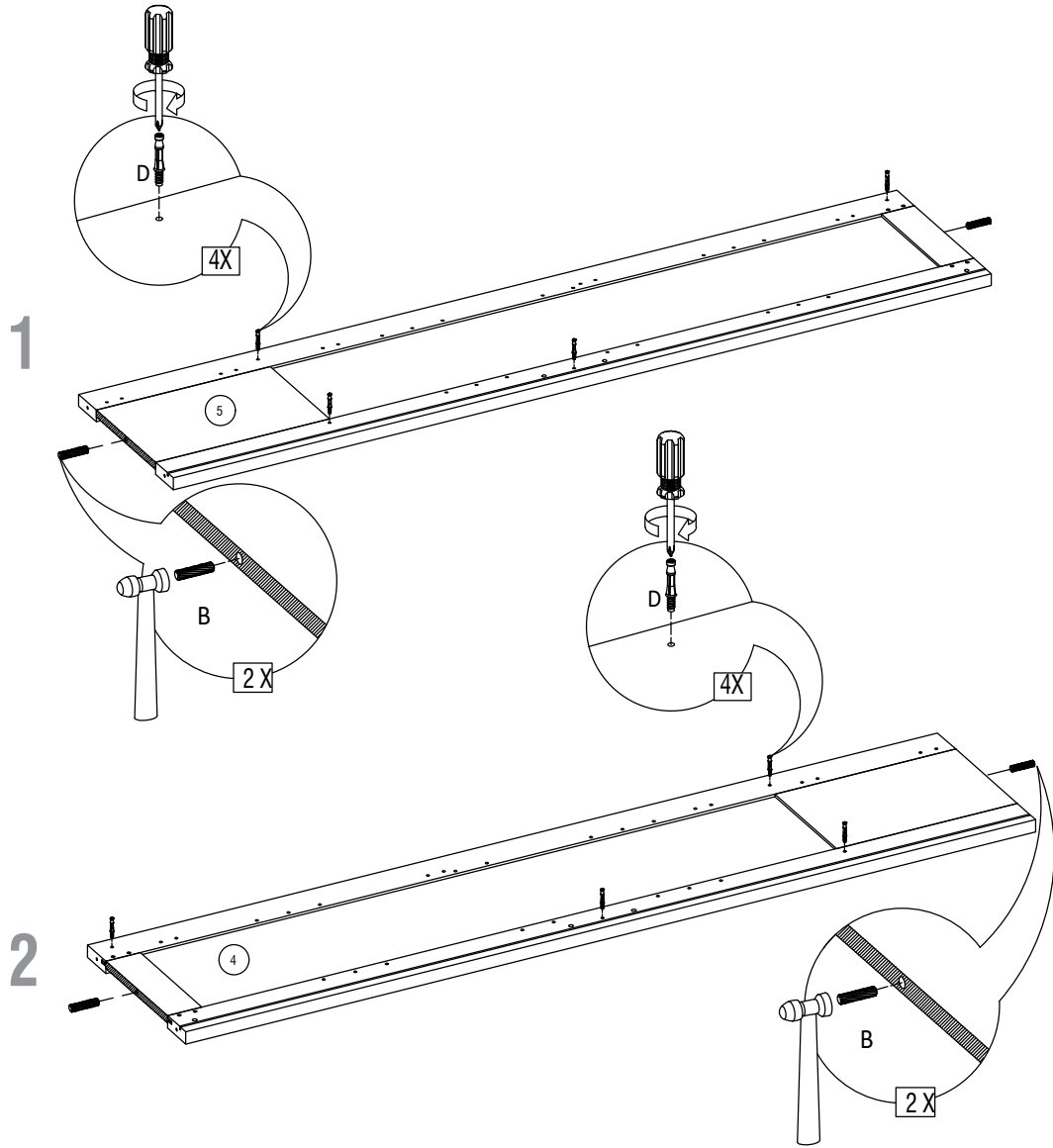


M1  Ø 4 MM X 16 MM 10 X	G  10 X	J2  Ø 12 X 44 MM 18 X	AE1  12 X	D  22 X	B  Ø 8 X 30 MM 10 X
V  1 X	AY1  Ø 9 MM X 21 MM 2 X	AX  1 X	BT17 AMERICAN WALNUT  10 X	E1  Ø 15 MM X 12 MM 22 X	M3  Ø 6 MM X 13 MM 12 X
S  3 X	AN1  1 X	BR1  1 X	BS1  1 X	AA1  3 M'	BP1  1 X
M  Ø 9 MM X 13 MM 10 X	BU  OGGI 1 X	M  Ø 4 MM X 13 MM 2 X	M  Ø 4 MM X 10 MM 1 X	A5 FULL OVERLAY  2 X	Q3  2 X

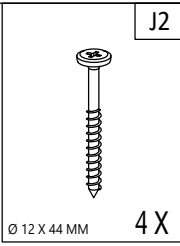
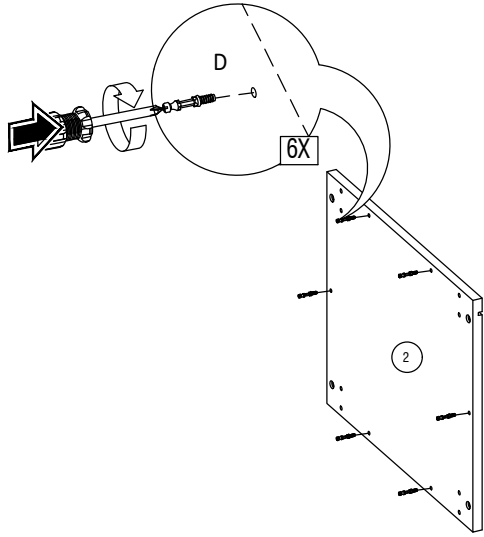


 x2 ±120 M 

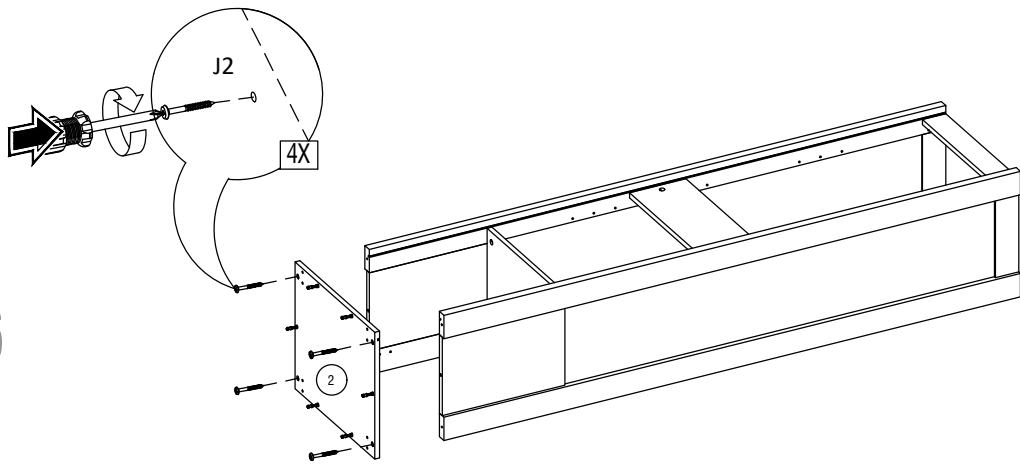
<p>D</p>  <p>8 X</p>	<p>B</p>  <p>Ø8 X 30 MM</p>	<p>AY1</p>  <p>Ø9 MM X 21 MM</p>	<p>AX</p>  <p>1 X</p>	<p>BT17</p>  <p>AMERICAN WALNUT</p>	<p>E1</p>  <p>Ø15 MM X 12 MM</p>	<p>M3</p>  <p>Ø6 MM X 13 MM</p>	<p>B</p>  <p>Ø8 X 30 MM</p>
------------------------------------------------------------------------------------------------------	---------------------------------------------------------------------------------------------------------------	--------------------------------------------------------------------------------------------------------------------	---------------------------------------------------------------------------------------------------------	-----------------------------------------------------------------------------------------------------------------------	--------------------------------------------------------------------------------------------------------------------	-------------------------------------------------------------------------------------------------------------------	---------------------------------------------------------------------------------------------------------------



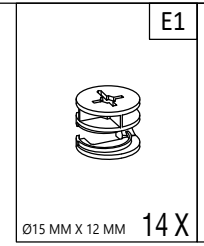
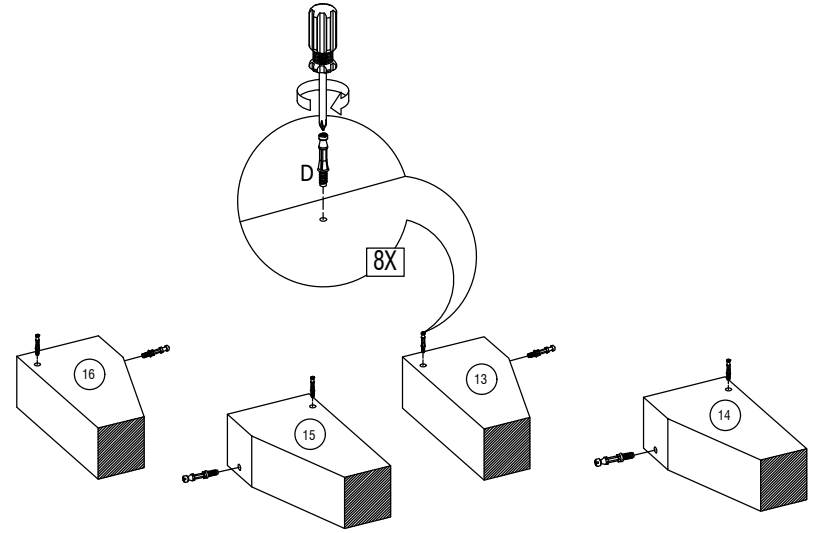
5



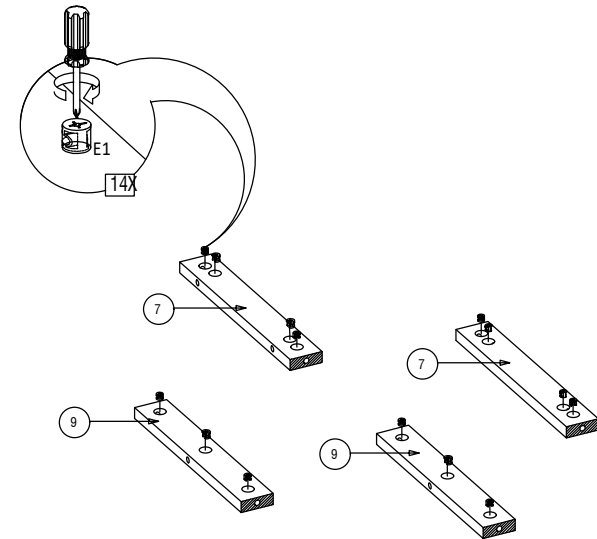
6



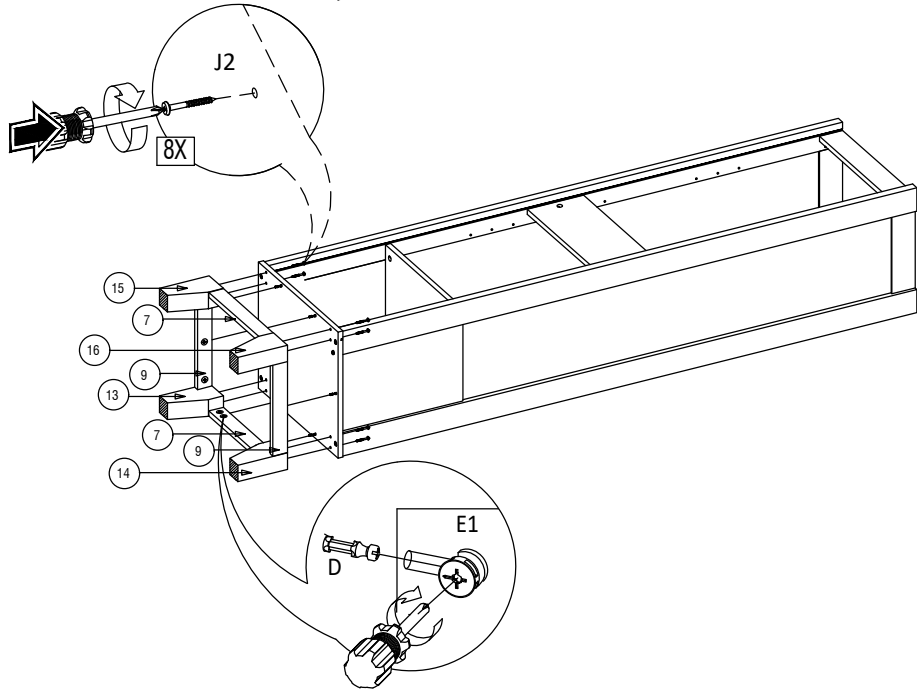
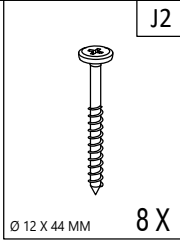
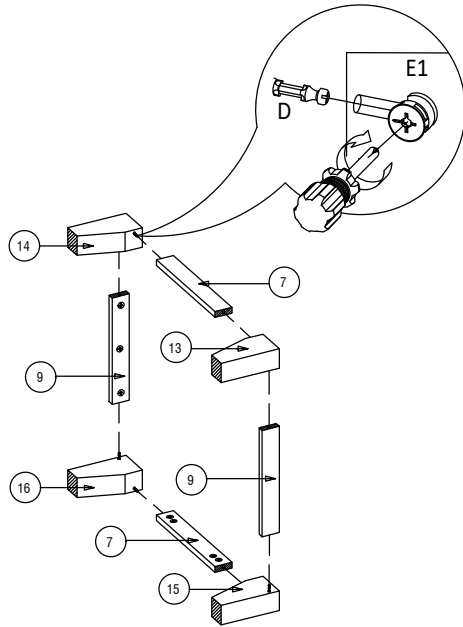
7



8

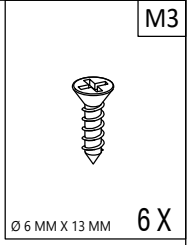
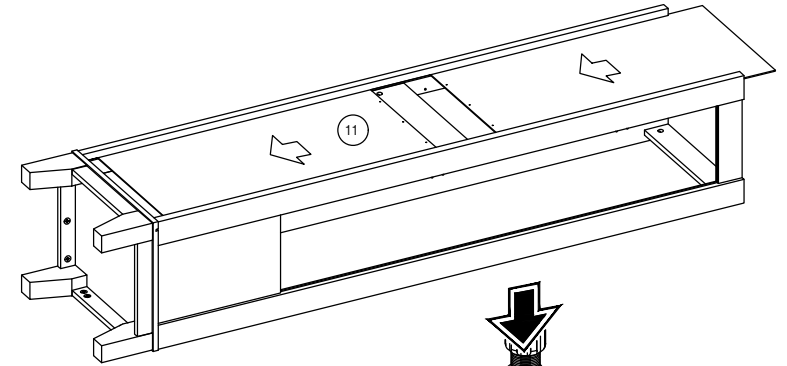


9

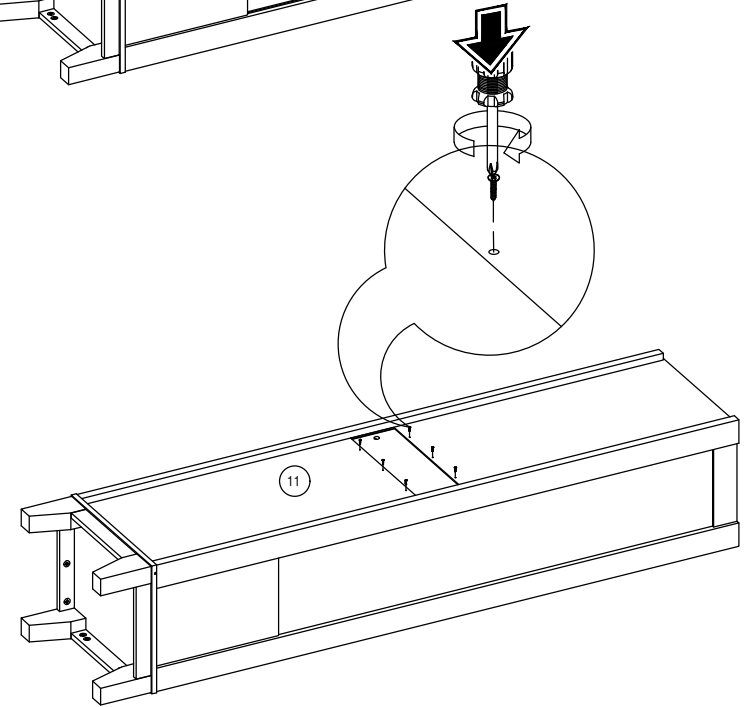


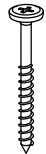

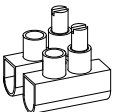

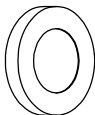
10





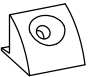
11




12

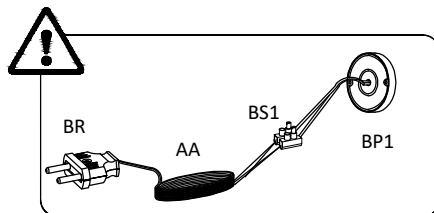
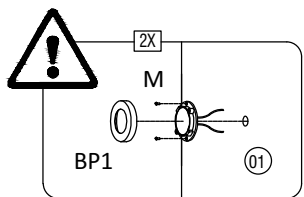
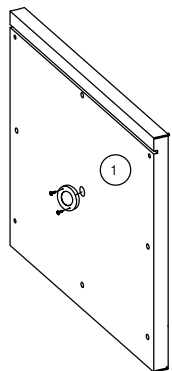


J2  Ø 12 X 44 MM 6X	BR1  1X	BS1  1X	AA1  3 M'	BP1  1X
--------------------------------------------------------------------------------------------------------------	------------------------------------------------------------------------------------------------	------------------------------------------------------------------------------------------------	--------------------------------------------------------------------------------------------------	-------------------------------------------------------------------------------------------------

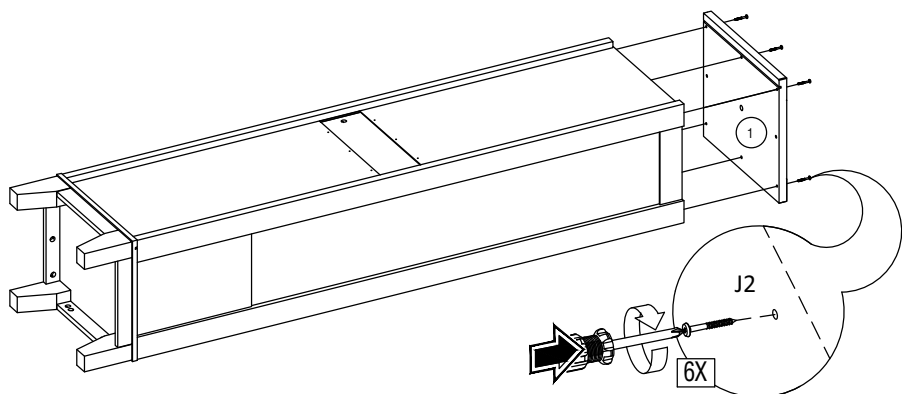
AE1  12X	BU  1X	BT17  AMERICAN WALNUT 6X	M1  Ø 4 MM X 16 MM 10X	G  10X
---------------------------------------------------------------------------------------------------	-------------------------------------------------------------------------------------------------	----------------------------------------------------------------------------------------------------------------------	--------------------------------------------------------------------------------------------------------------------	-------------------------------------------------------------------------------------------------

M  Ø 4 MM X 13 MM 2X

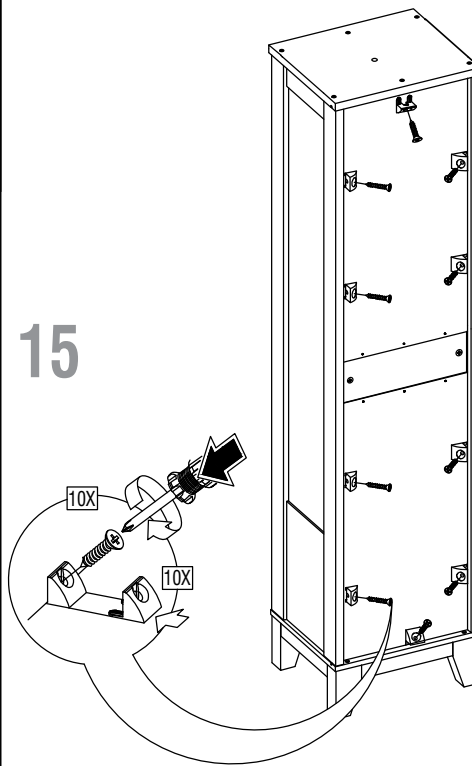
13



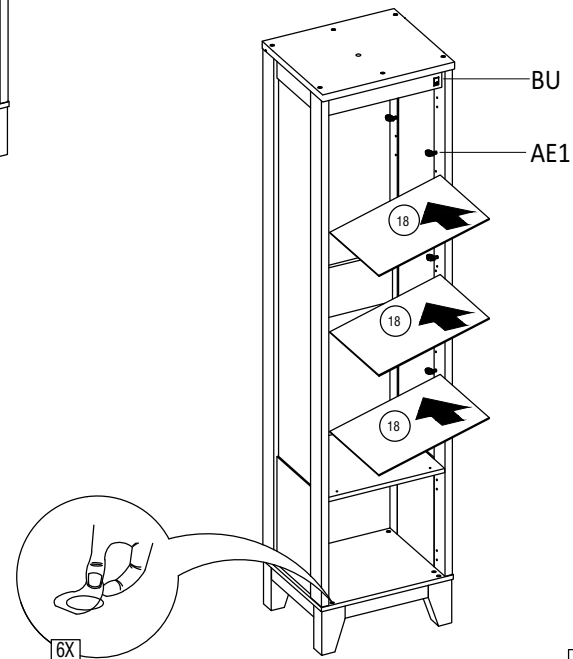
14



15



16



S	AN1	V	A5	M3	Q3
3 X	1 X	1 X	Ø4 MM X 10 MM 1 X	Ø 6 MM X 13 MM 4 X	FULL OVERLAY 2 X

17

Ø 9 MM X 13 MM 6 X

18

19

20

M
Ø 9 MM X 13 MM 4 X

19

20