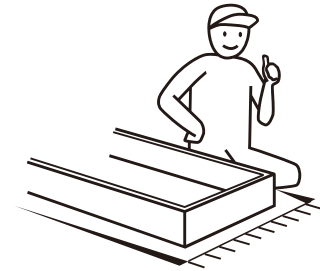
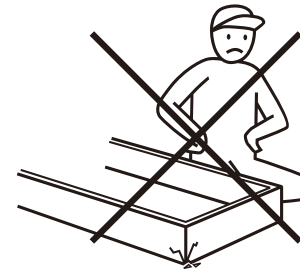
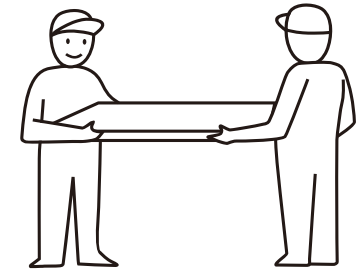
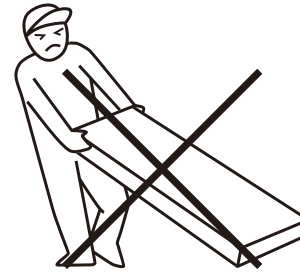
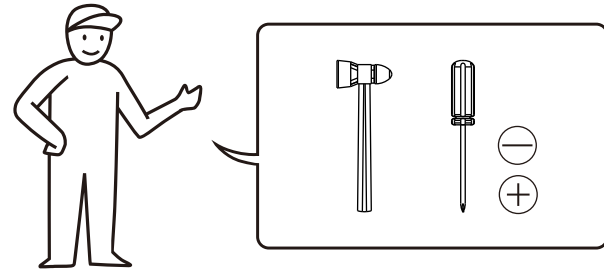


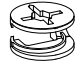

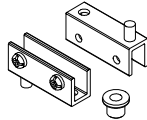
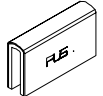
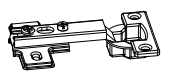
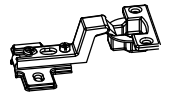

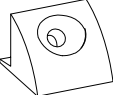
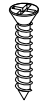

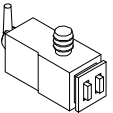
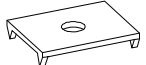
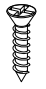


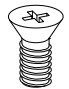






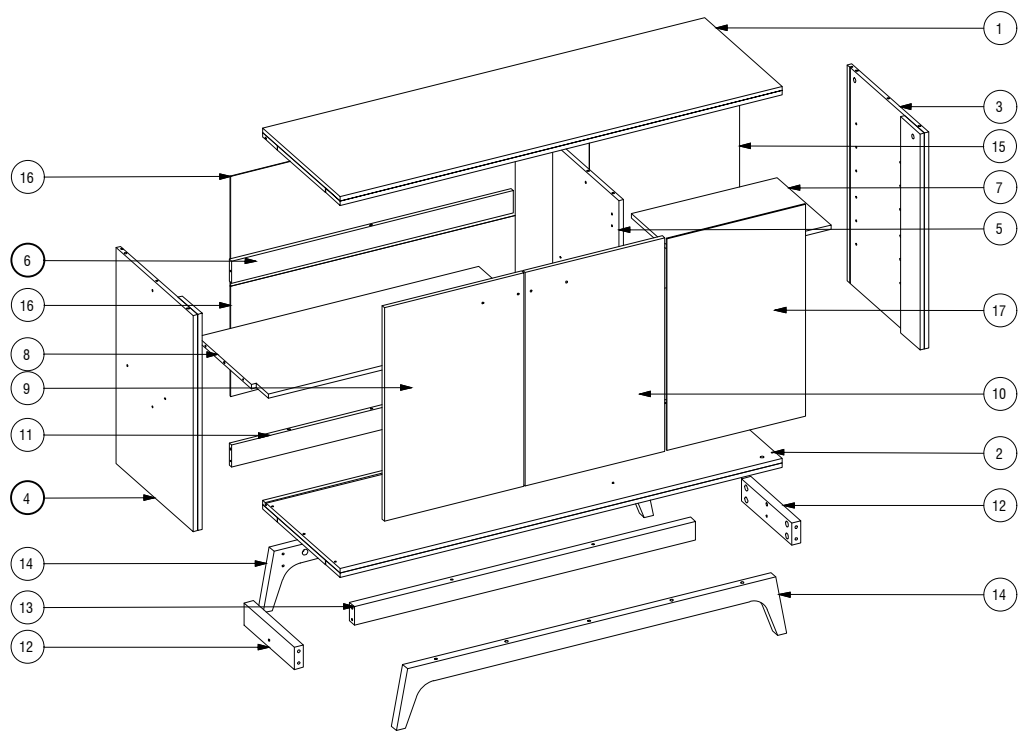
ASSEMBLING INSTRUCTION



CHENON SIDEBOARD 120





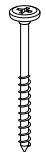
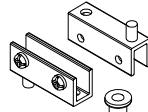
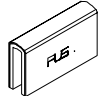

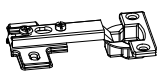
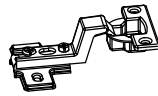
TUSCANY OAK - WHITE

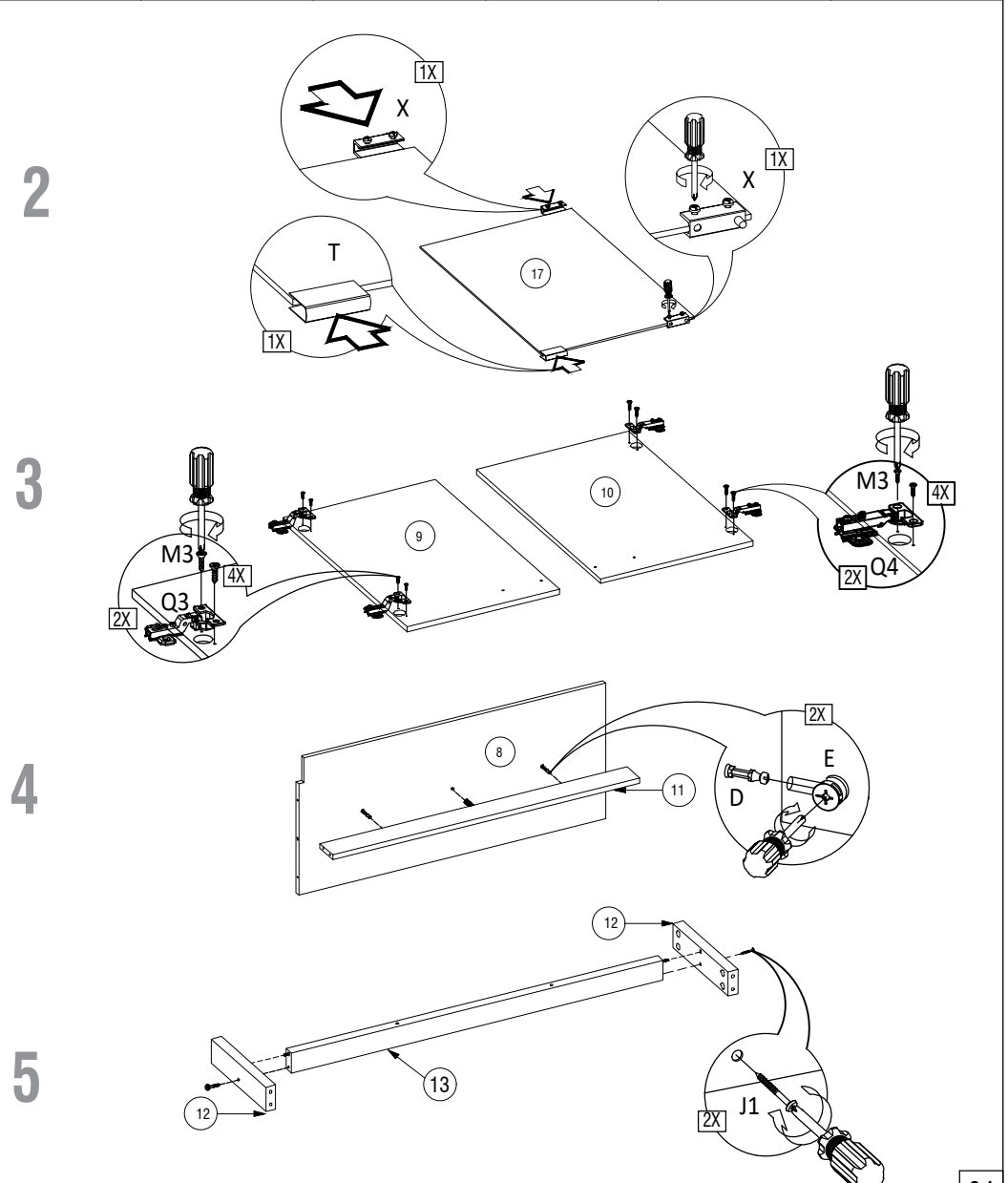
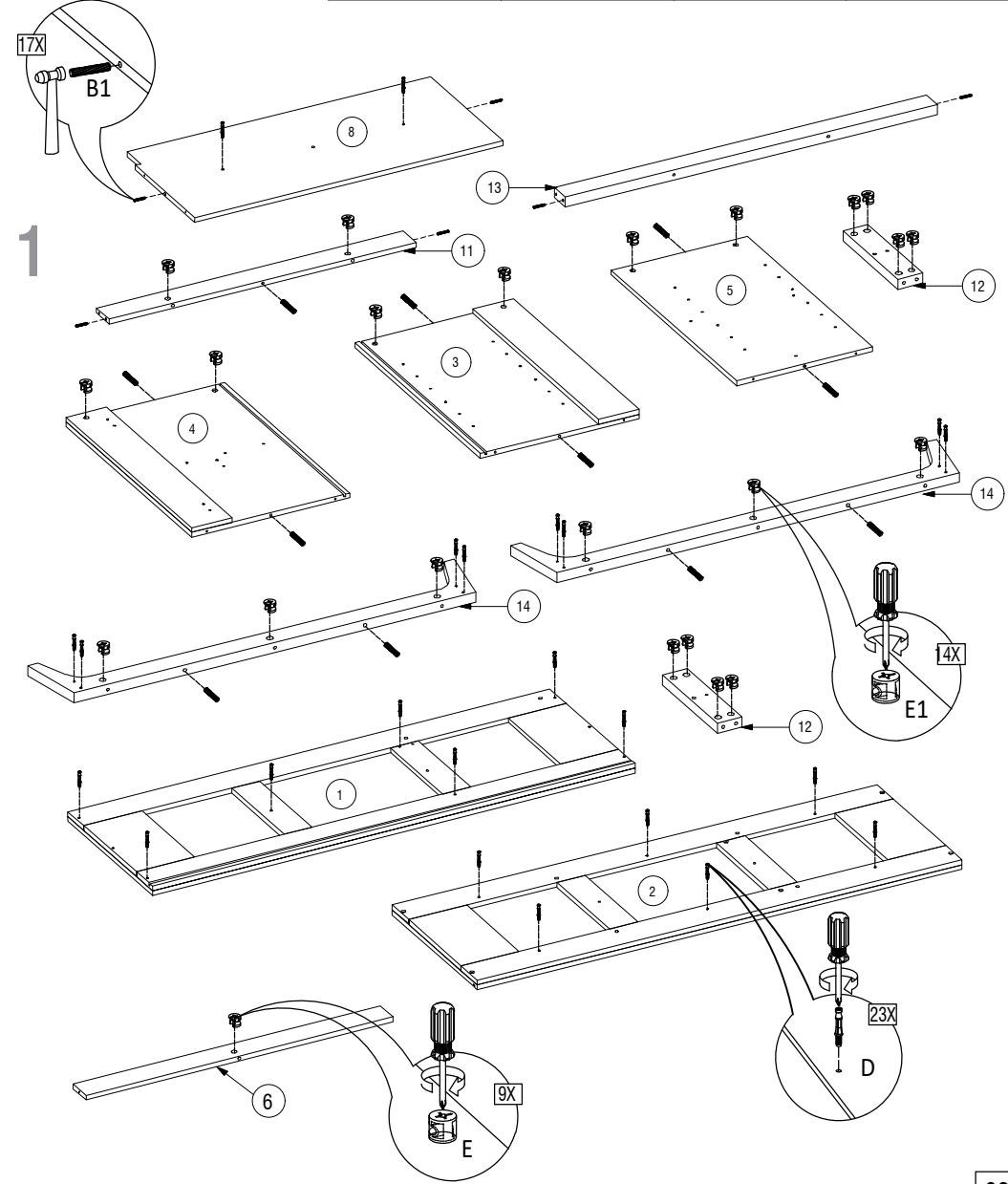


 23 X Ø6 MM X 30 MM	 17 X Ø12 MM X 10 MM	 9 X Ø15 MM X 12 MM	 14 X Ø15 MM X 12 MM	 1 SET	 1 X
 INSET 2 X	 FULL OVERLAY 2 X	 Ø 10 MM X 44 MM 18 X	 12 X	 Ø 4 MM X 16 MM 12 X	 4 X
 1 X	 3 X	 Ø 4 MM X 13 MM 3 X	 2 X	 Ø 6 MM X 13 MM 8 X	 Ø 9 MM X 12 MM 8 X
 1 X	 2 X	 TUSCANY OAK 4 X	 WHITE 2 X		

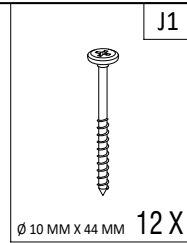
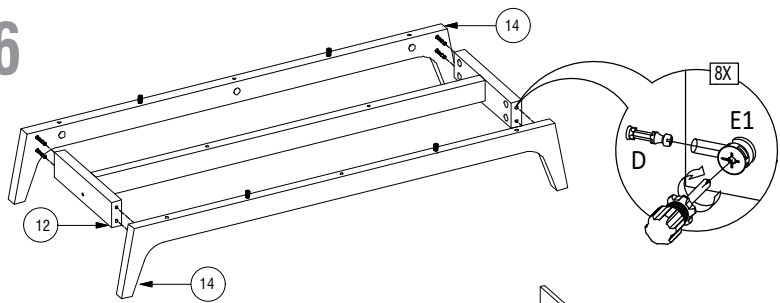


 x2 ±45 M 

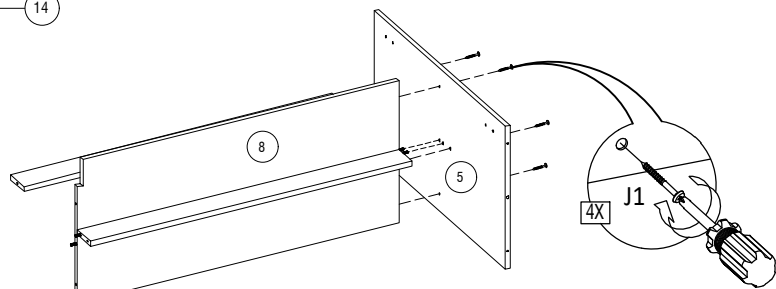
<p>D</p>  <p>23 X Ø6 MM X 30 MM</p>	<p>B1</p>  <p>17 X</p>	<p>E1</p>  <p>14 X Ø15 MM X 12 MM</p>	<p>E</p>  <p>9 X Ø12 MM X 10 MM</p>	<p>J1</p>  <p>2 X Ø10 MM X 44 MM</p>	<p>X</p>  <p>1 SET</p>	<p>T</p>  <p>1 X</p>	<p>M3</p>  <p>8 X Ø6 MM X 13 MM</p>	<p>Q4</p>  <p>2 X INSET</p>	<p>Q3</p>  <p>2 X FULL OVERLAY</p>
---	---	--	---	--	---	---	--	--	---



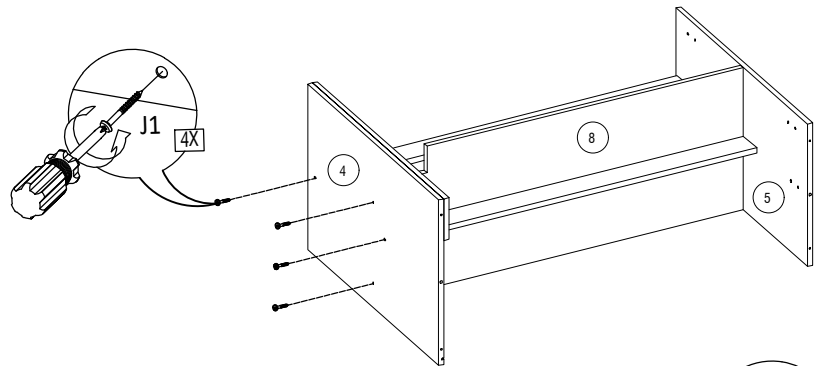
6



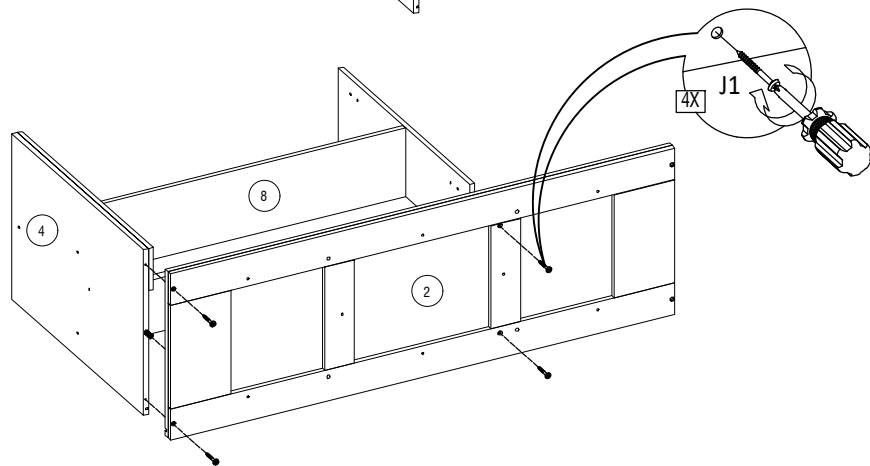
7



8

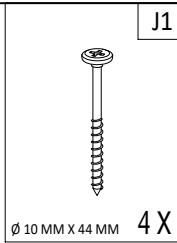
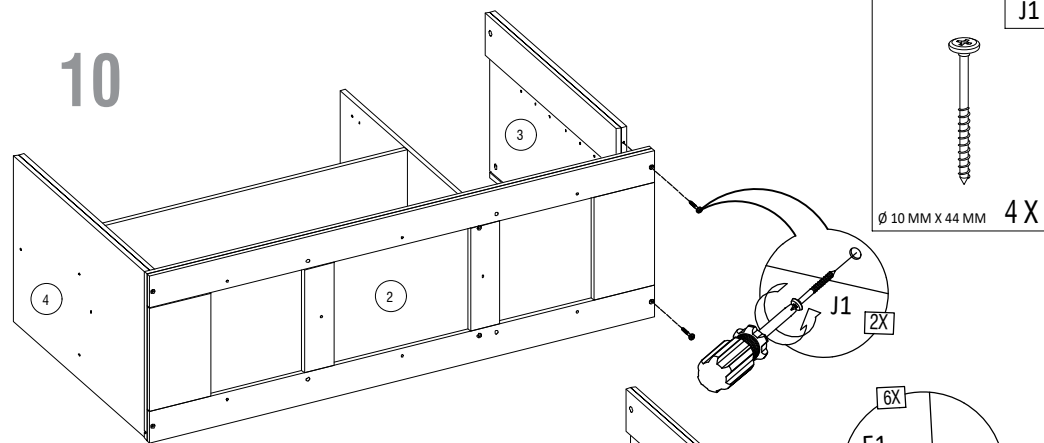


9

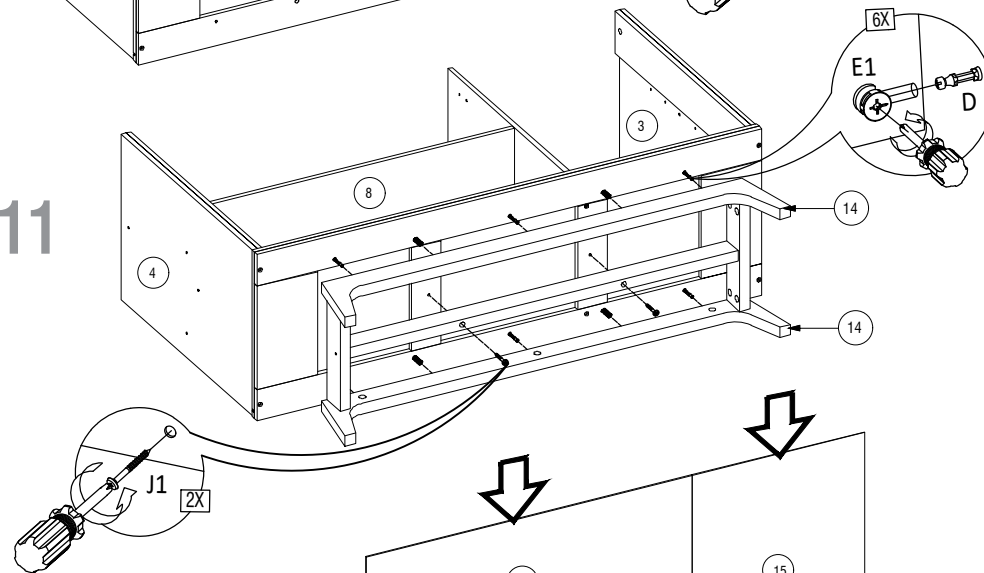


05

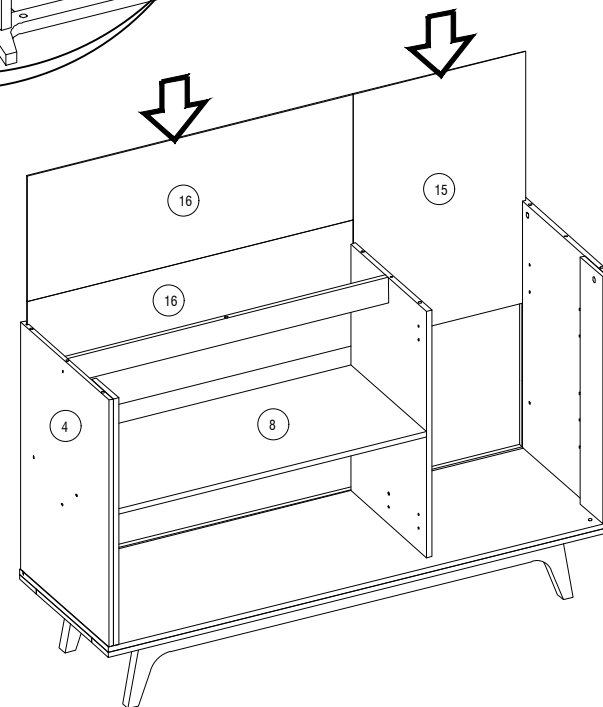
10




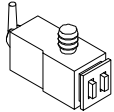

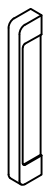
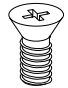


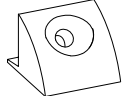

11

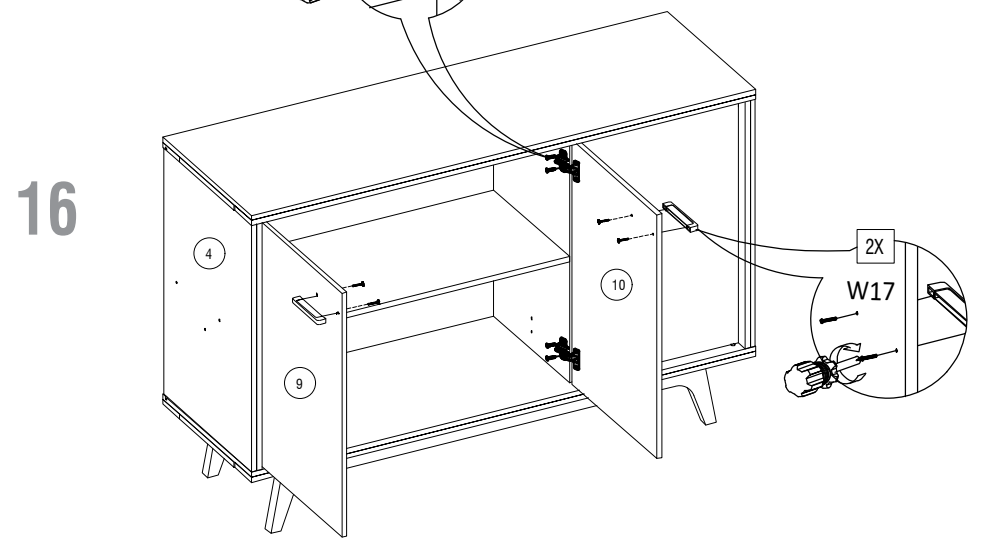
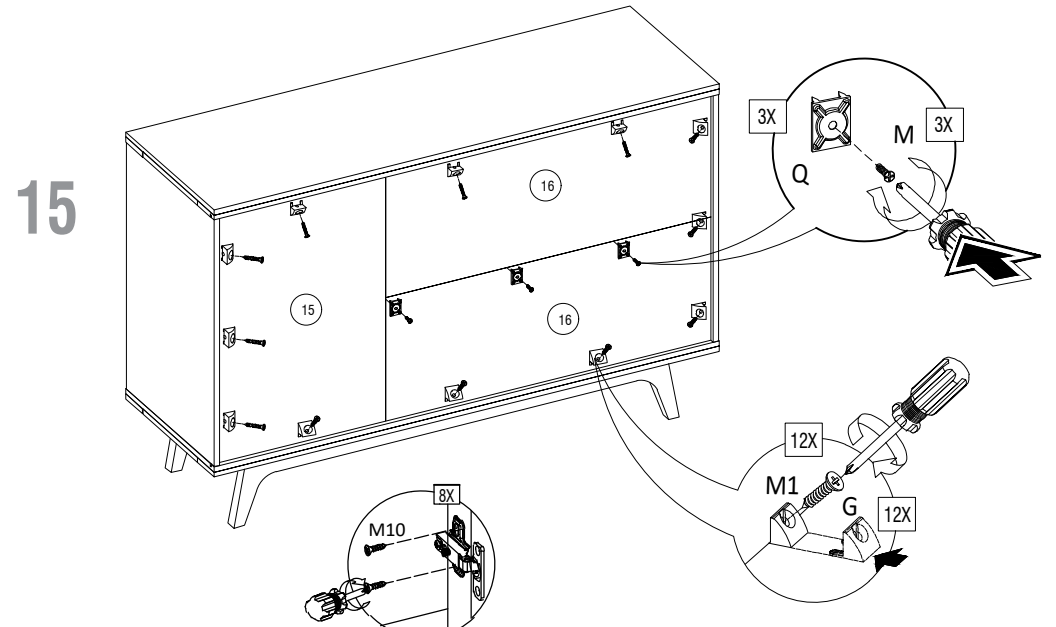
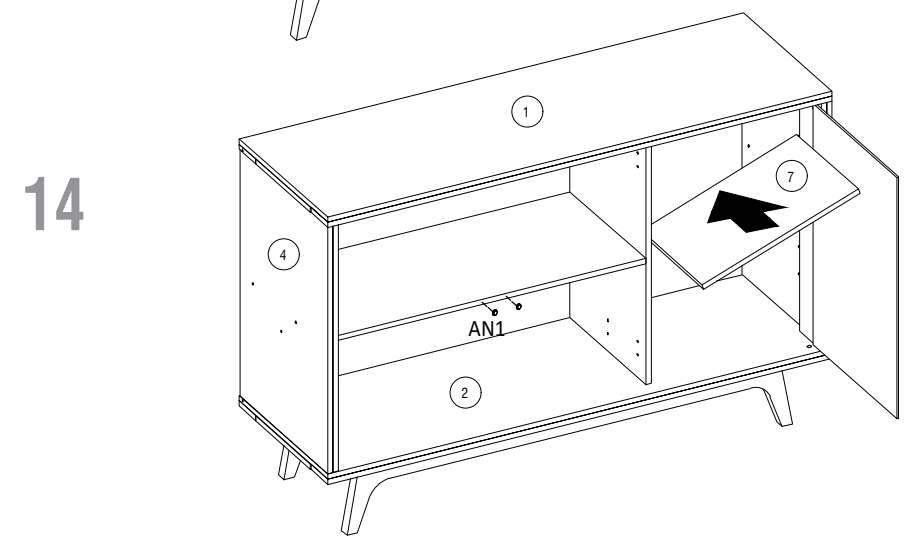
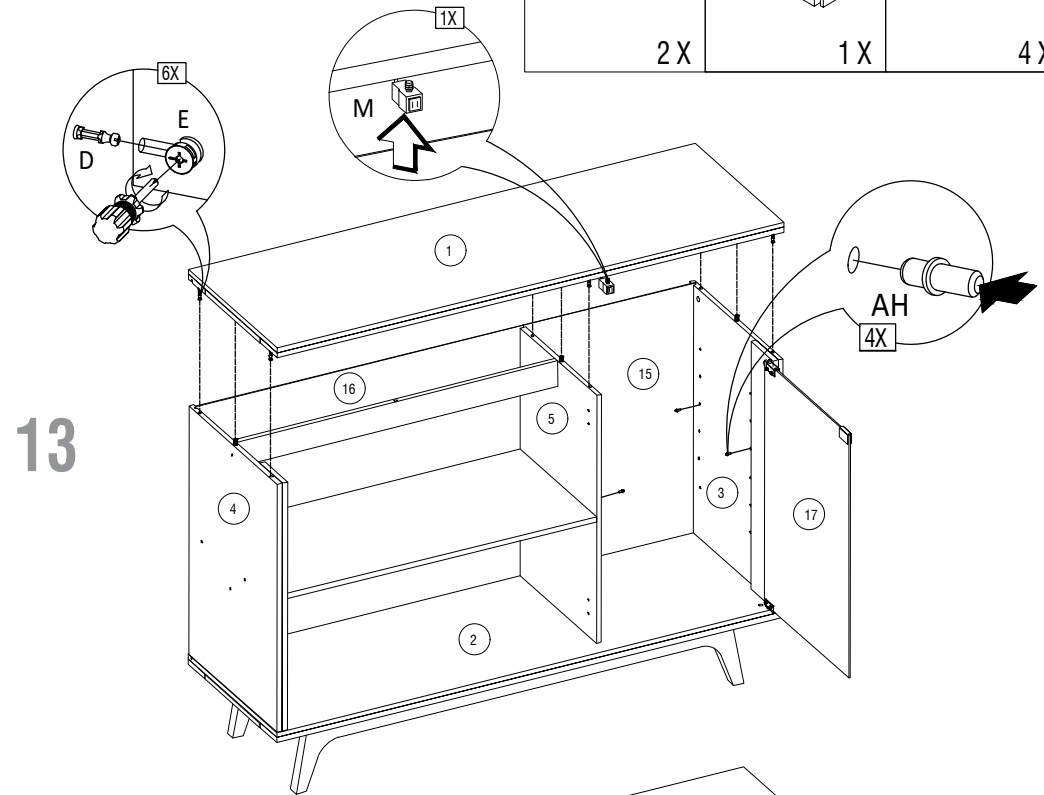





12



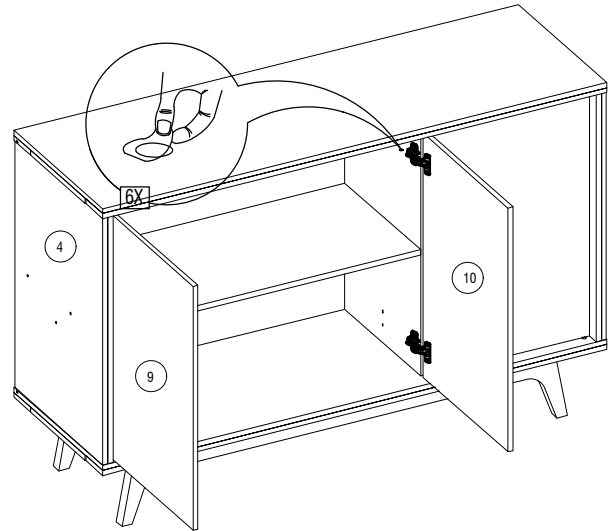
06

AN1	M	AH	W17	M10	Q	M	G	M1
								
2X	1X	4X	2X	8X Ø 9 MM X 12 MM	3X	3X Ø 4 MM X 13 MM	12X	12X Ø 4 MM X 16 MM

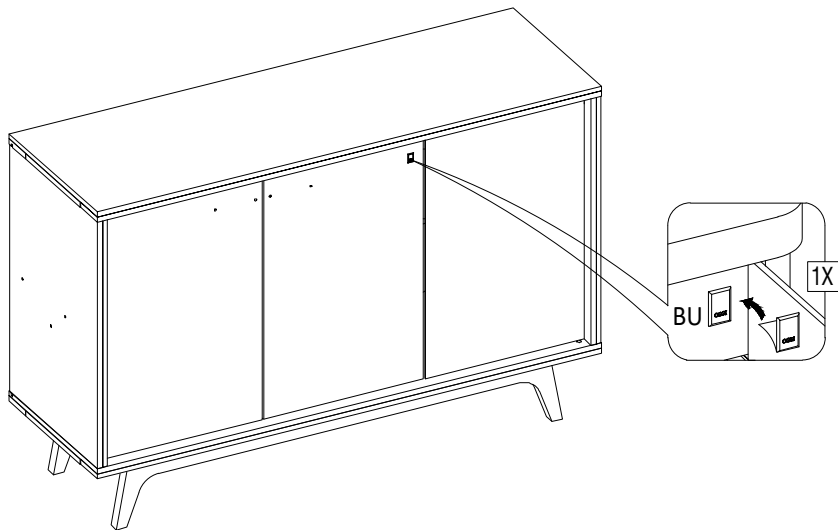


<p>BT18</p>  <p>TUSCANY OAK 4 X</p>	<p>BT15</p>  <p>WHITE 2 X</p>	<p>BU</p>  <p>1 X</p>
--	--	---

17



18



19

