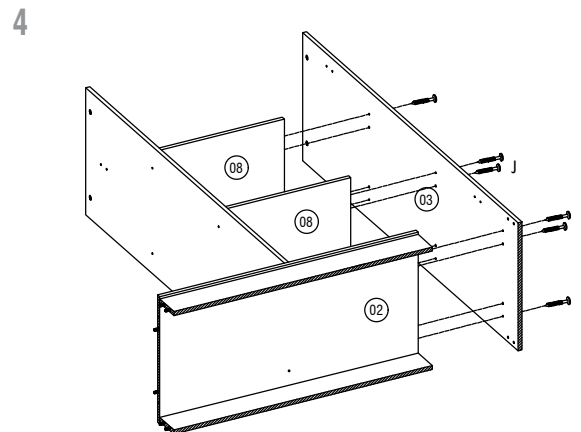
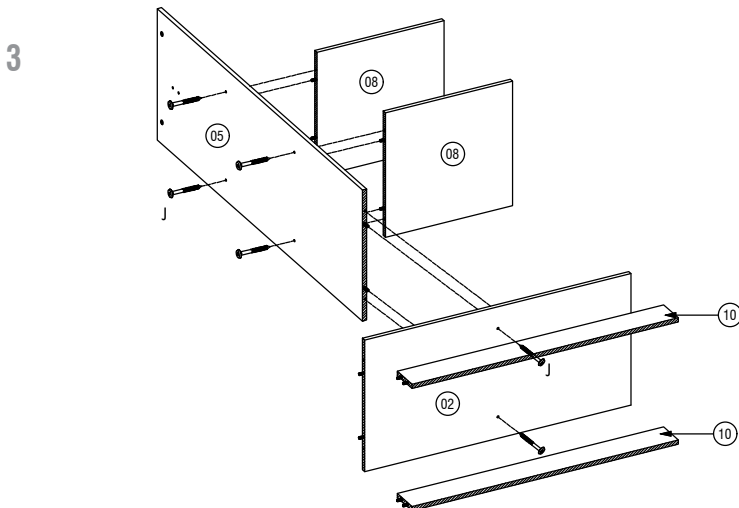
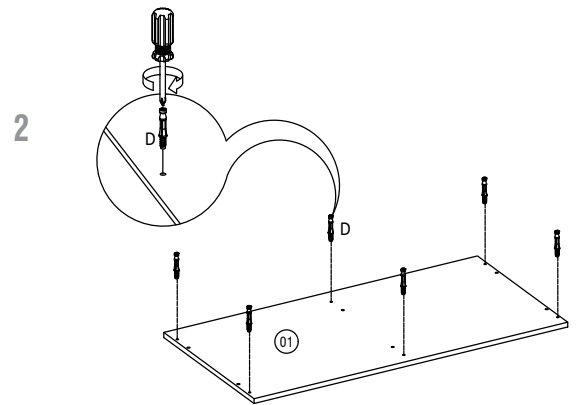
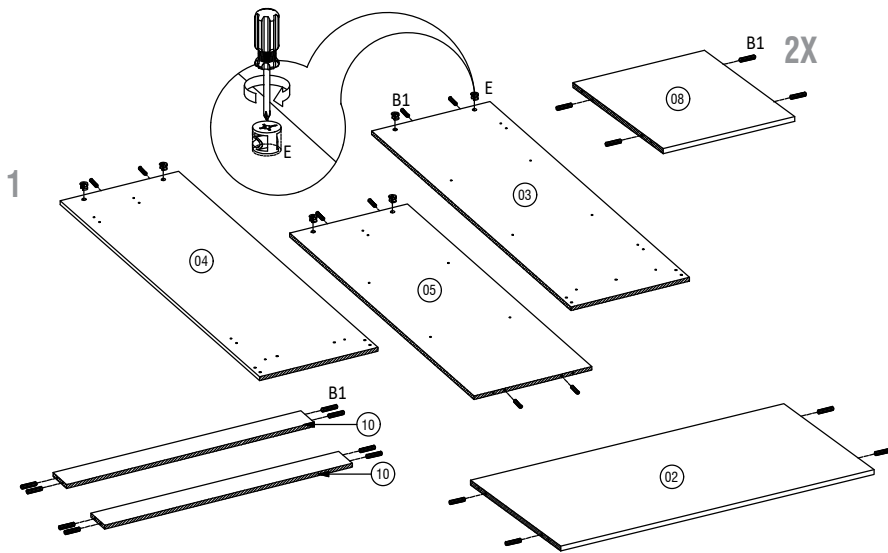
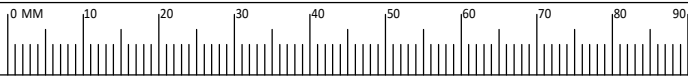
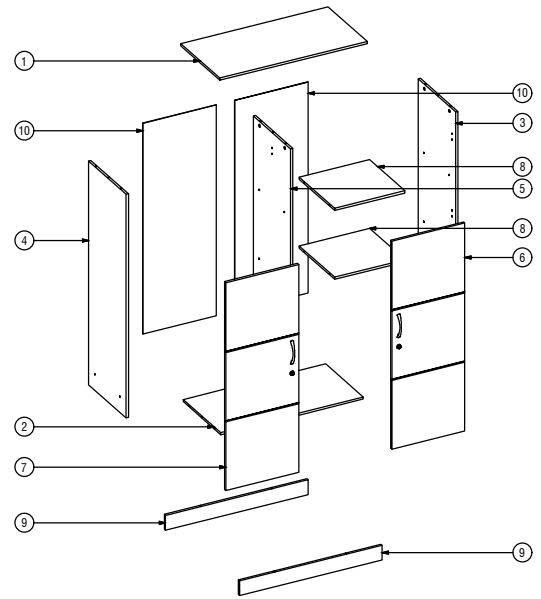
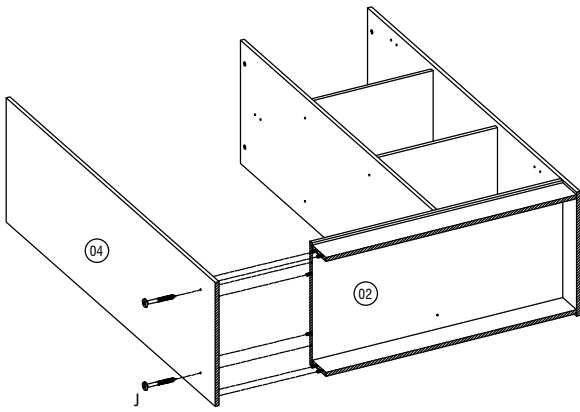


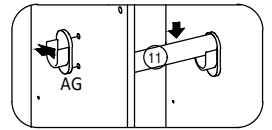
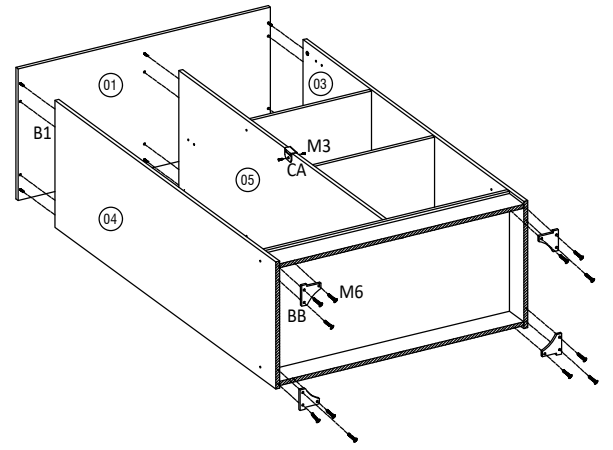
B1 Ø6 MM X 30 MM 28 X	J Ø10 MM X 44 MM 14 X	D 6 X	E Ø12 MM X 10 MM 6 X	U Ø16 MM 2 X	F1 19 MM 12 g
M6 Ø6 MM X 16 MM 12 X	M3 Ø6 MM X 13 MM 18 X	W31 2 X	Q4 INSET 4 X	AG SAVAP BLACK 12MM 2 X	CA 1 X
BB 12 MM 2 X	M4 8 X				



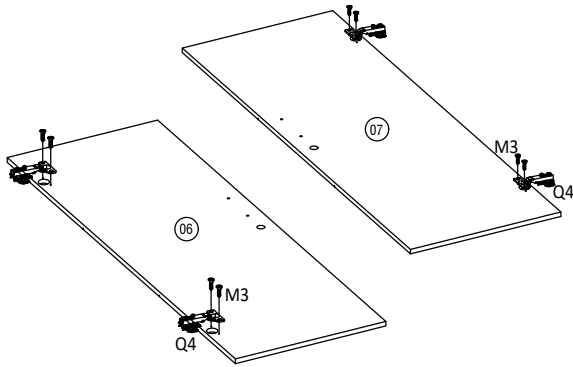
5



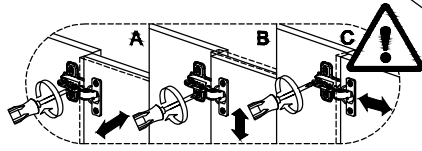
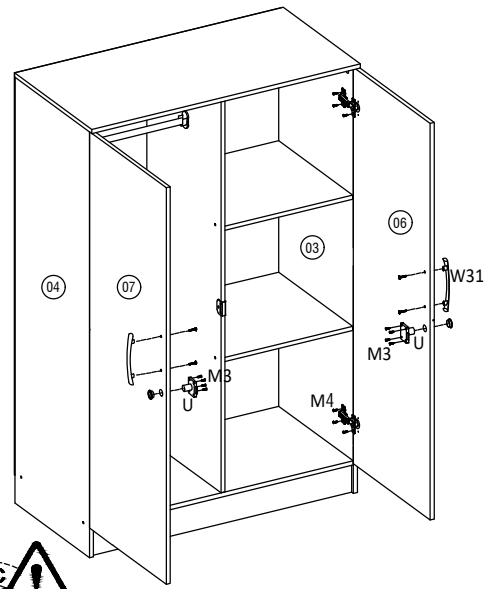
6



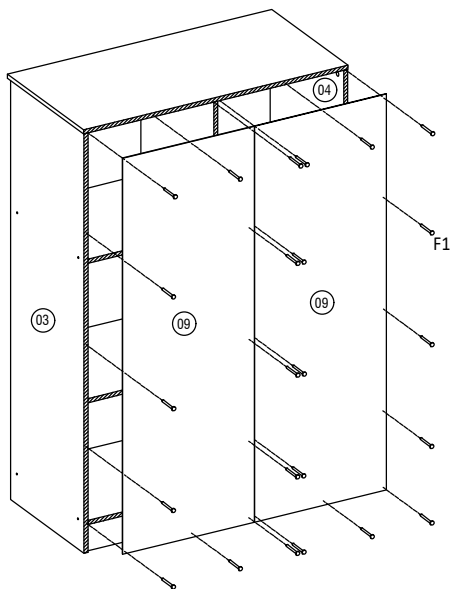
7



8



9



10

