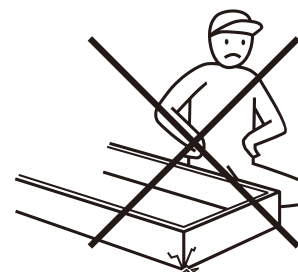
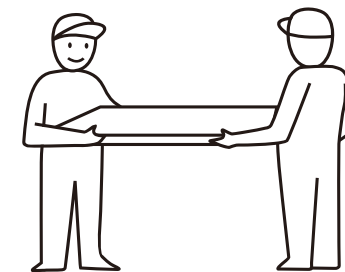
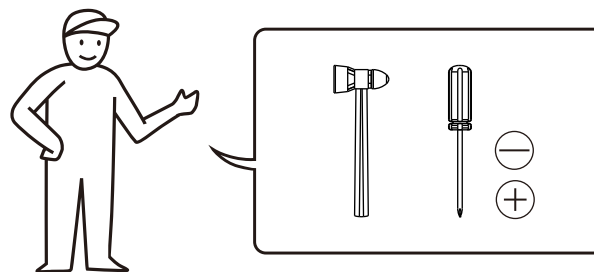


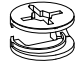

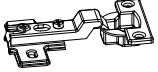
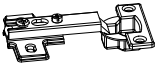
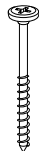
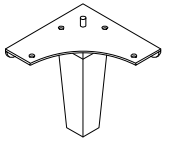

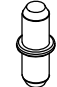



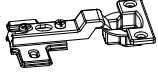
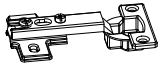





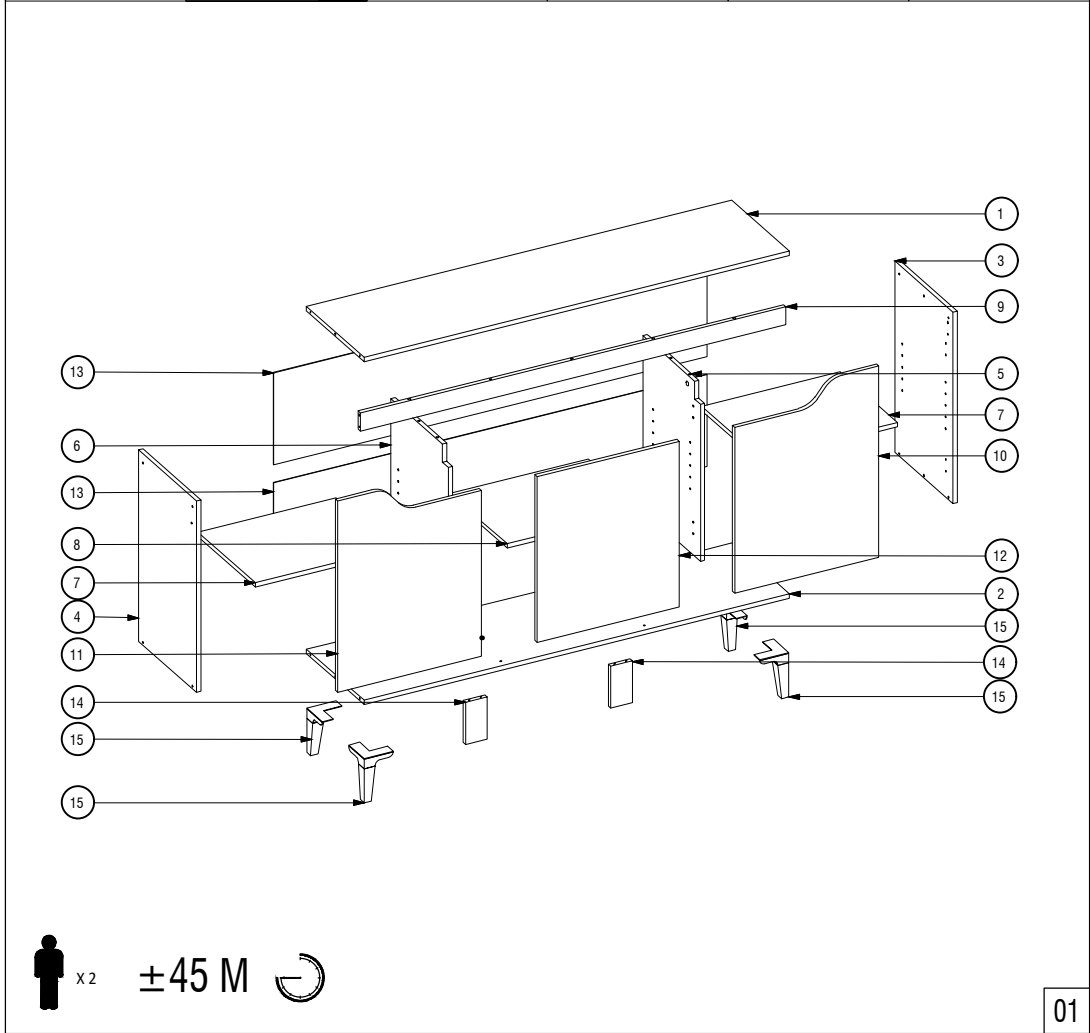
ASSEMBLING INSTRUCTION

EMILY SIDEBOARD 120

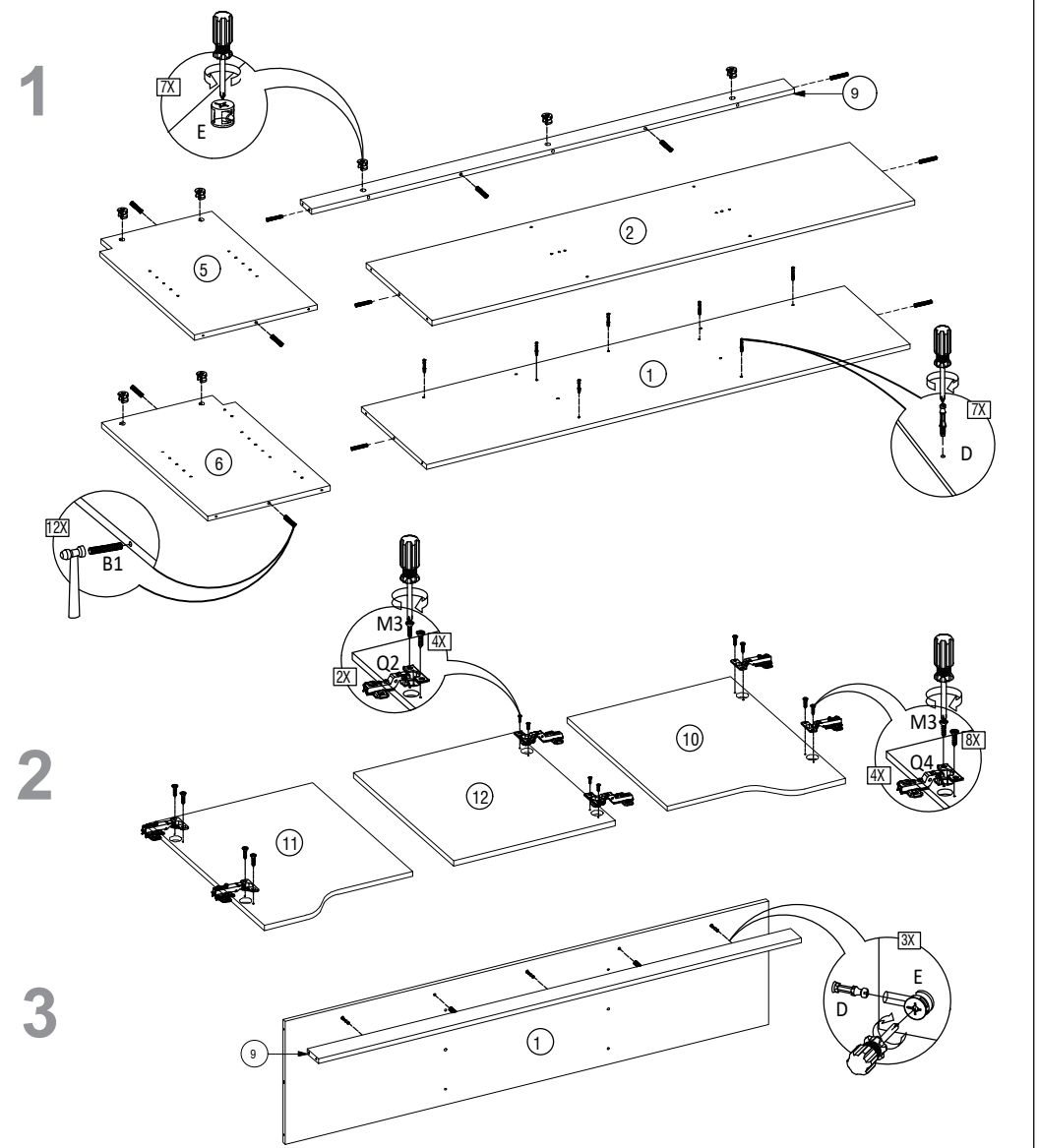


 Ø6 X 30 MM 12 X	 7 X	 Ø12 MM X 10 MM 7 X	 Ø 6 MM X 13 MM 12 X	 HALF OVERLAY 2 X	 INSET 4 X
 Ø 10 MM X 44 MM 18 X	 4 X	 Ø 6 MM X 16 MM 16 X	 12 X	 Ø 9 MM X 12 MM 12 X	 19 MM 8 g

 Ø 6 MM X 13 MM 12 X	 HALF OVERLAY 2 X	 INSET 4 X	 Ø6 X 30 MM 12 X	 7 X	 Ø12 MM X 10 MM 7 X
---	--	---	---	---	--

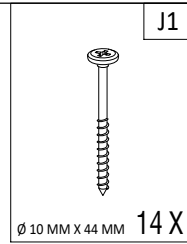
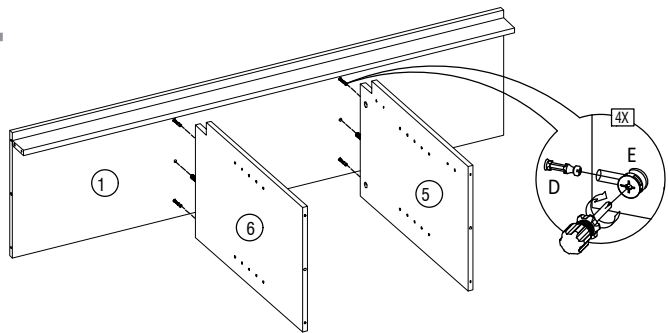


01

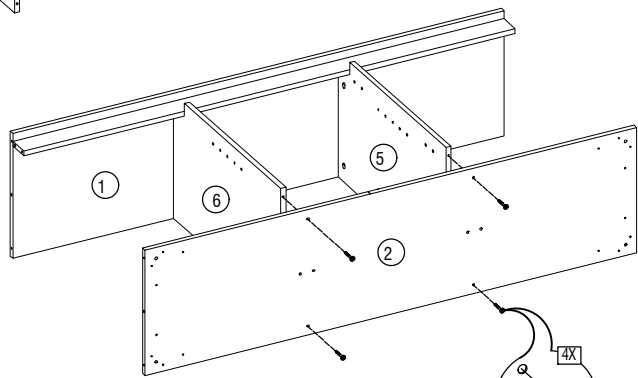


02

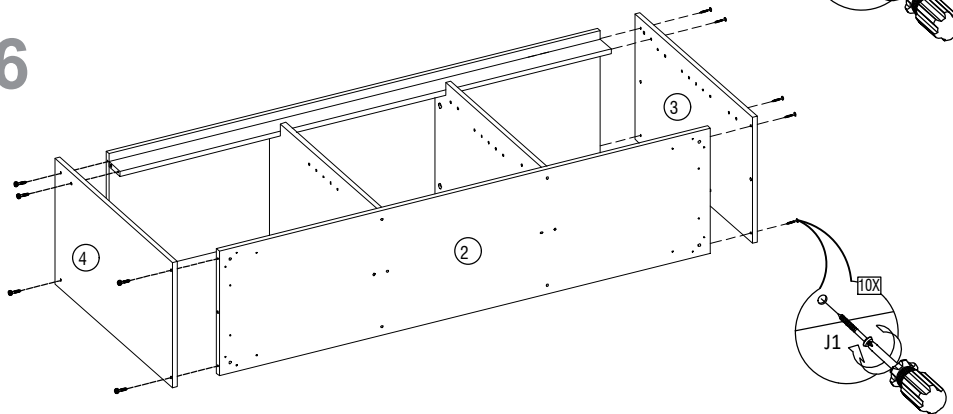
4



5

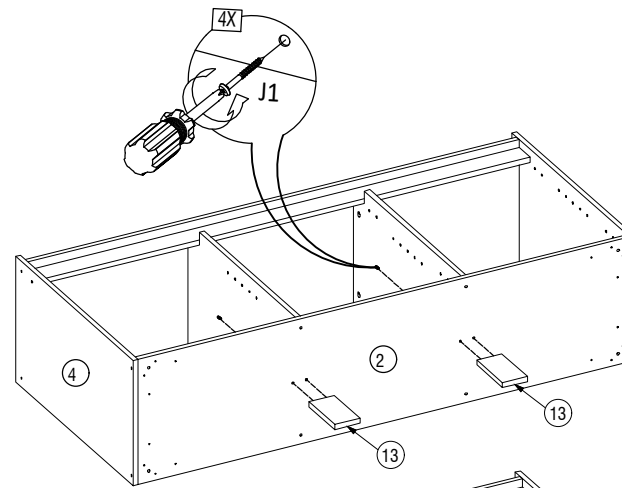


6

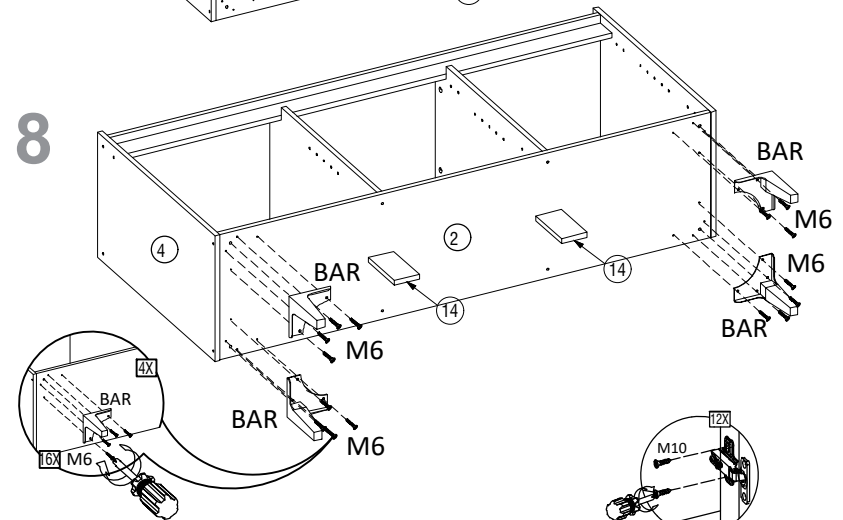


03

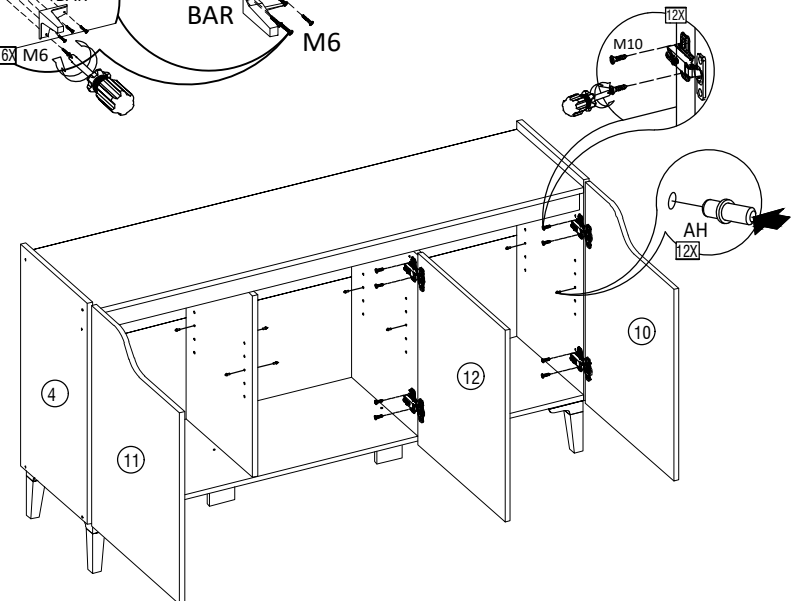
7



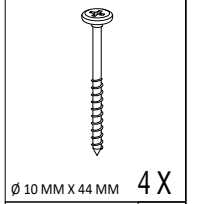
8



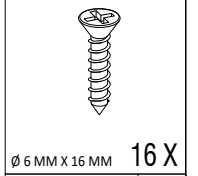
9



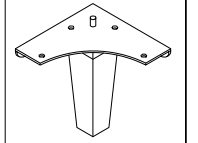
J1



M6

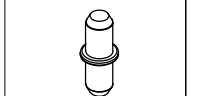


BAR



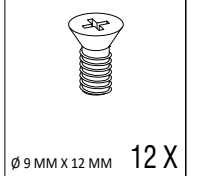
4 X

AH



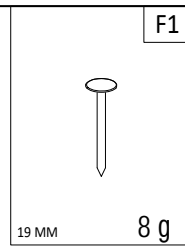
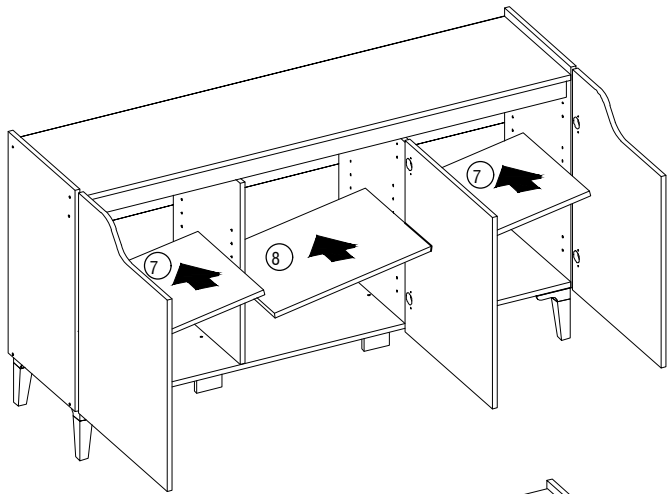
12 X

M10

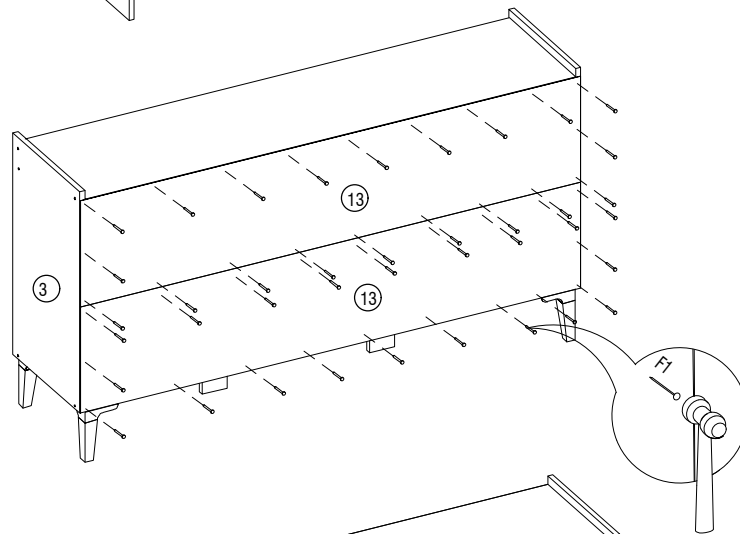


04

10



11



12

