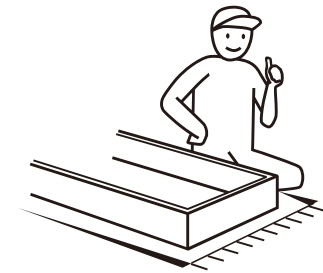
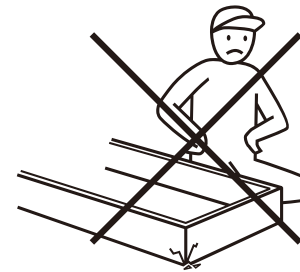
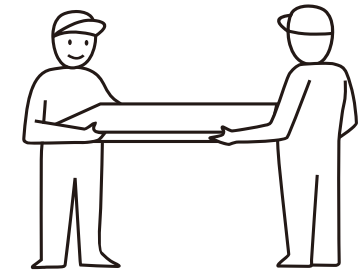
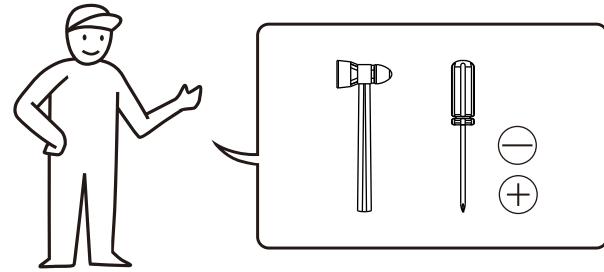


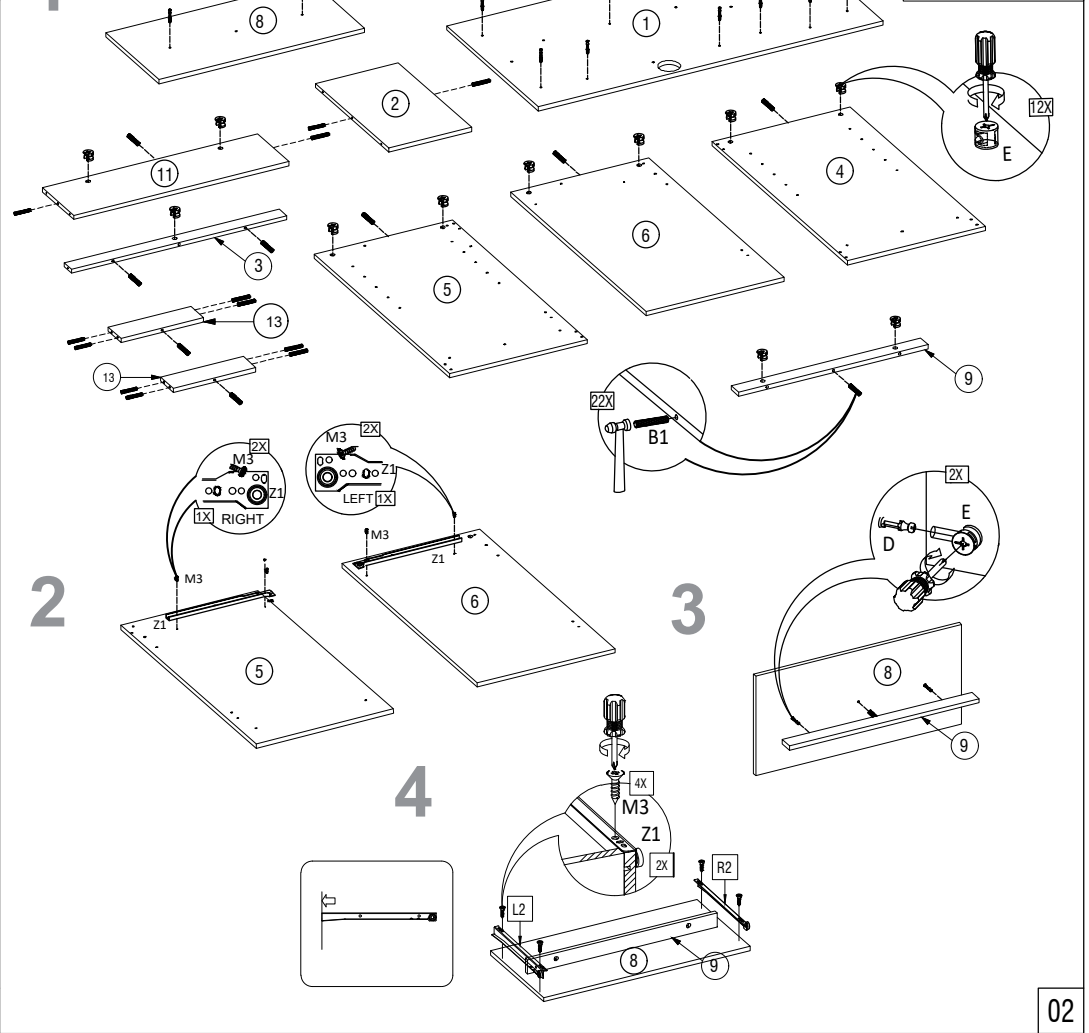
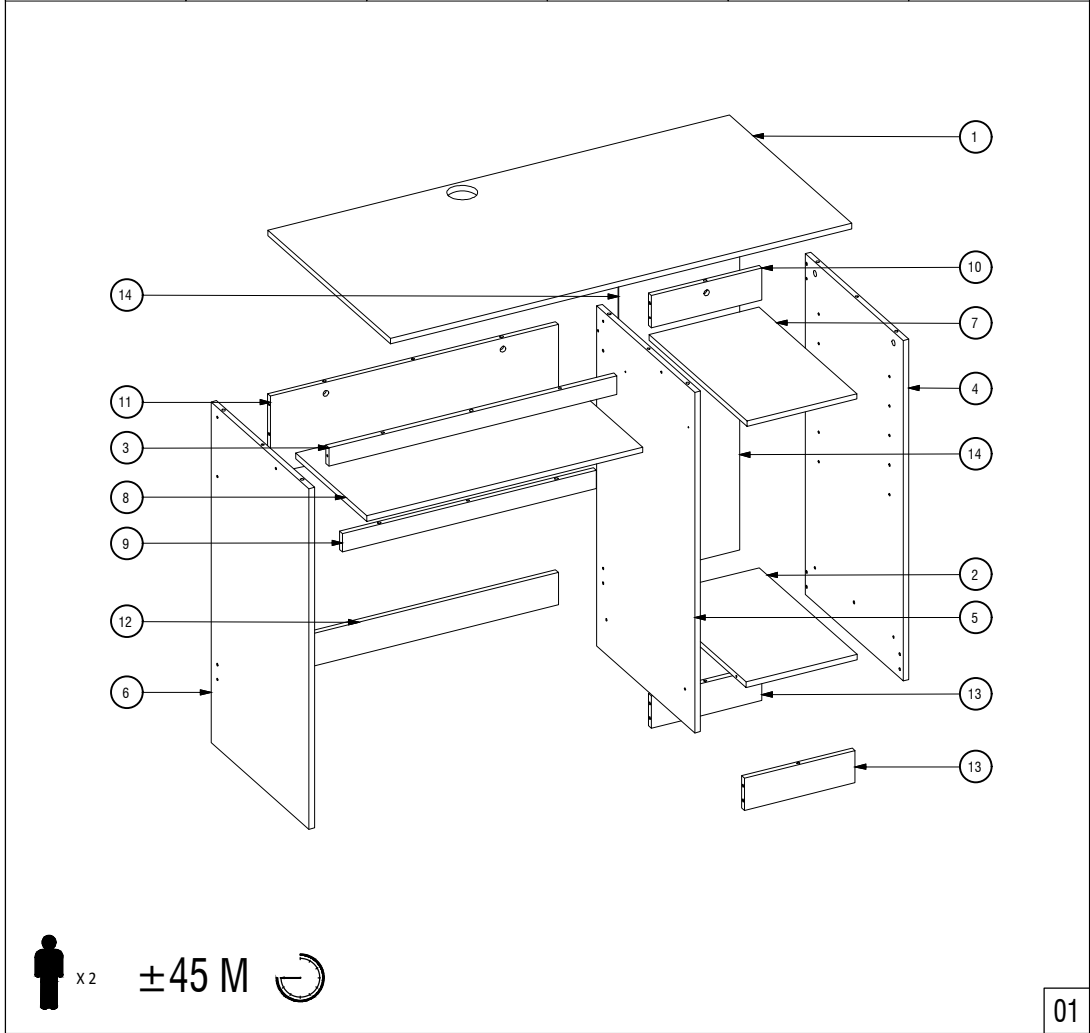
ASSEMBLING INSTRUCTION

AXEL COMPUTER DESK 100

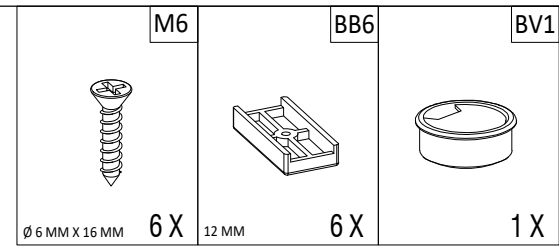
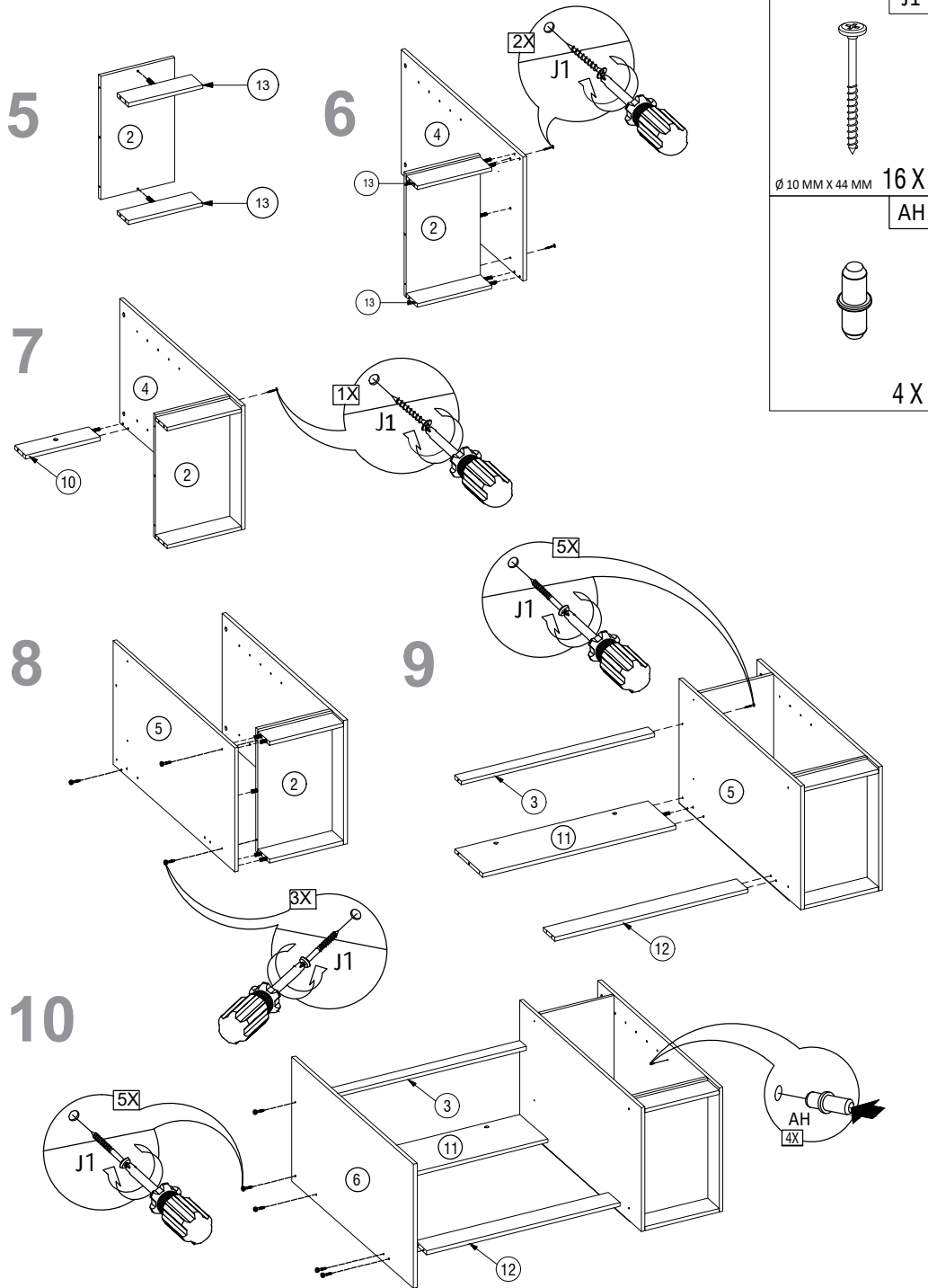


<p>Z1 300 MM 1 SET</p>	<p>J1 Ø 10 MM X 44 MM 16 X</p>	<p>B1 Ø6 X 30 MM 23 X</p>	<p>D Ø12 MM X 10 MM 12 X</p>	<p>E Ø12 MM X 10 MM 12 X</p>	
<p>BV1 1 X 19 MM</p>	<p>F1 6 g</p>	<p>AH 4 X</p>	<p>M3 Ø 6 MM X 13 MM 8 X</p>	<p>M6 Ø 6 MM X 16 MM 6 X</p>	<p>BB6 12 MM 6 X</p>

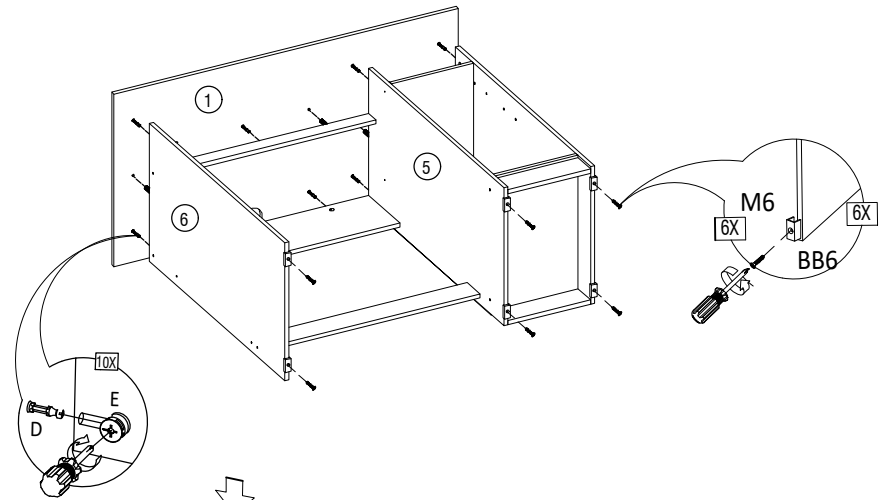
<p>Z1 300 MM 1 SET</p>	<p>B1 Ø6 X 30 MM 23 X</p>	<p>D Ø12 MM X 10 MM 12 X</p>	<p>E Ø12 MM X 10 MM 12 X</p>	<p>M3 Ø 6 MM X 13 MM 8 X</p>
--------------------------------	-----------------------------------	--------------------------------------	--------------------------------------	--------------------------------------



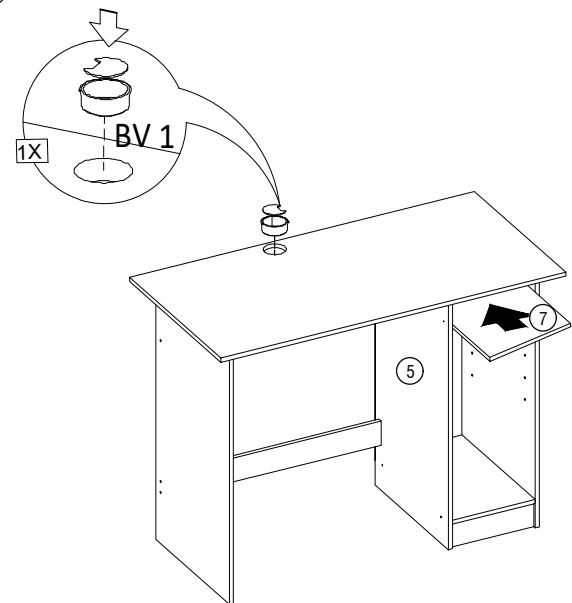
x2 ±45 M



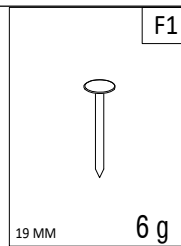
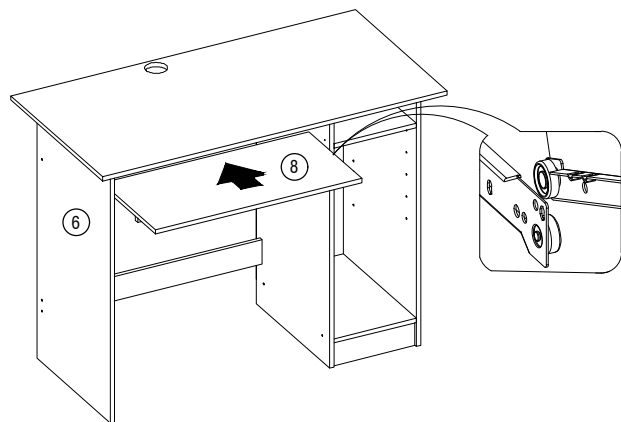
11



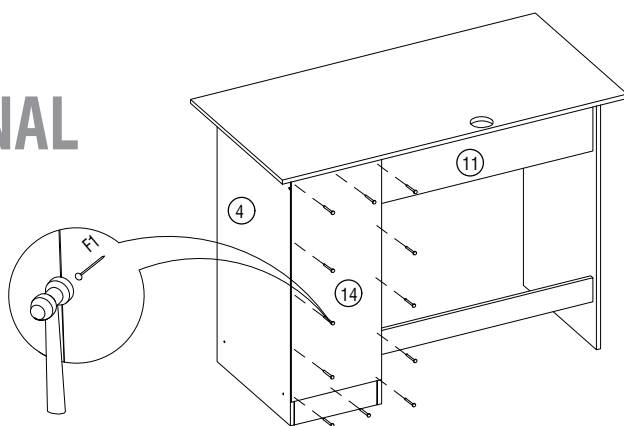
12



13



14 OPSIONAL



15

