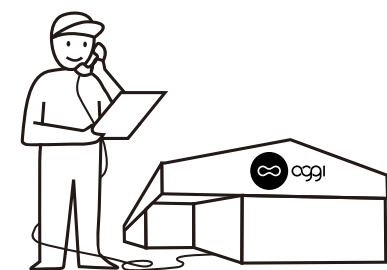
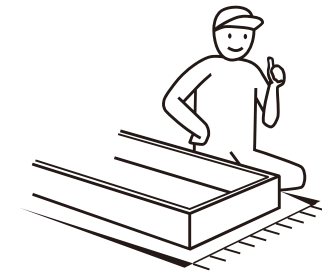
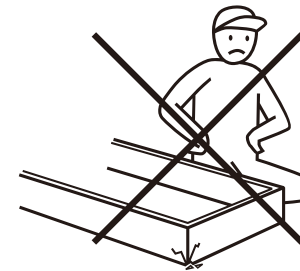
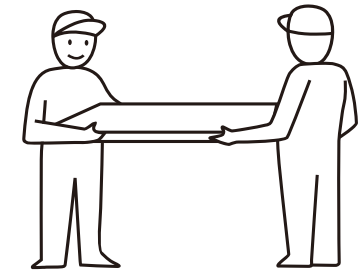
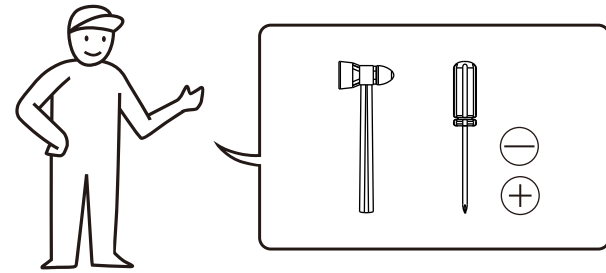


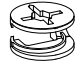
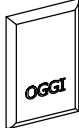
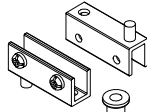
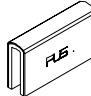
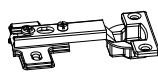
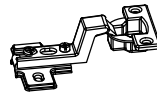

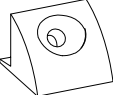
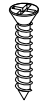

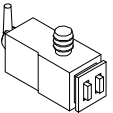

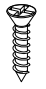



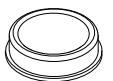




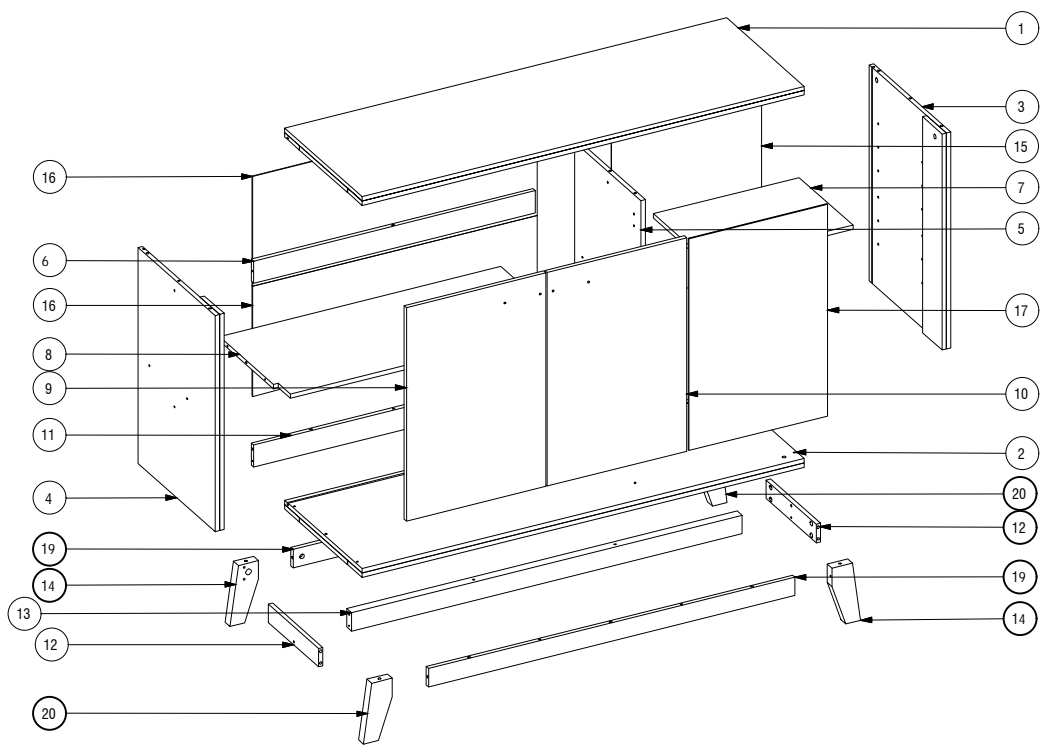
ASSEMBLING INSTRUCTION



CHENON SIDEBOARD 120

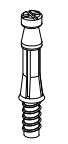

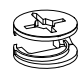
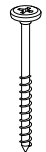
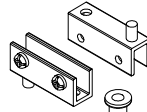
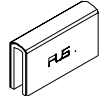

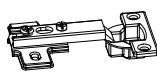
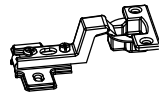
TUSCANY OAK - WHITE

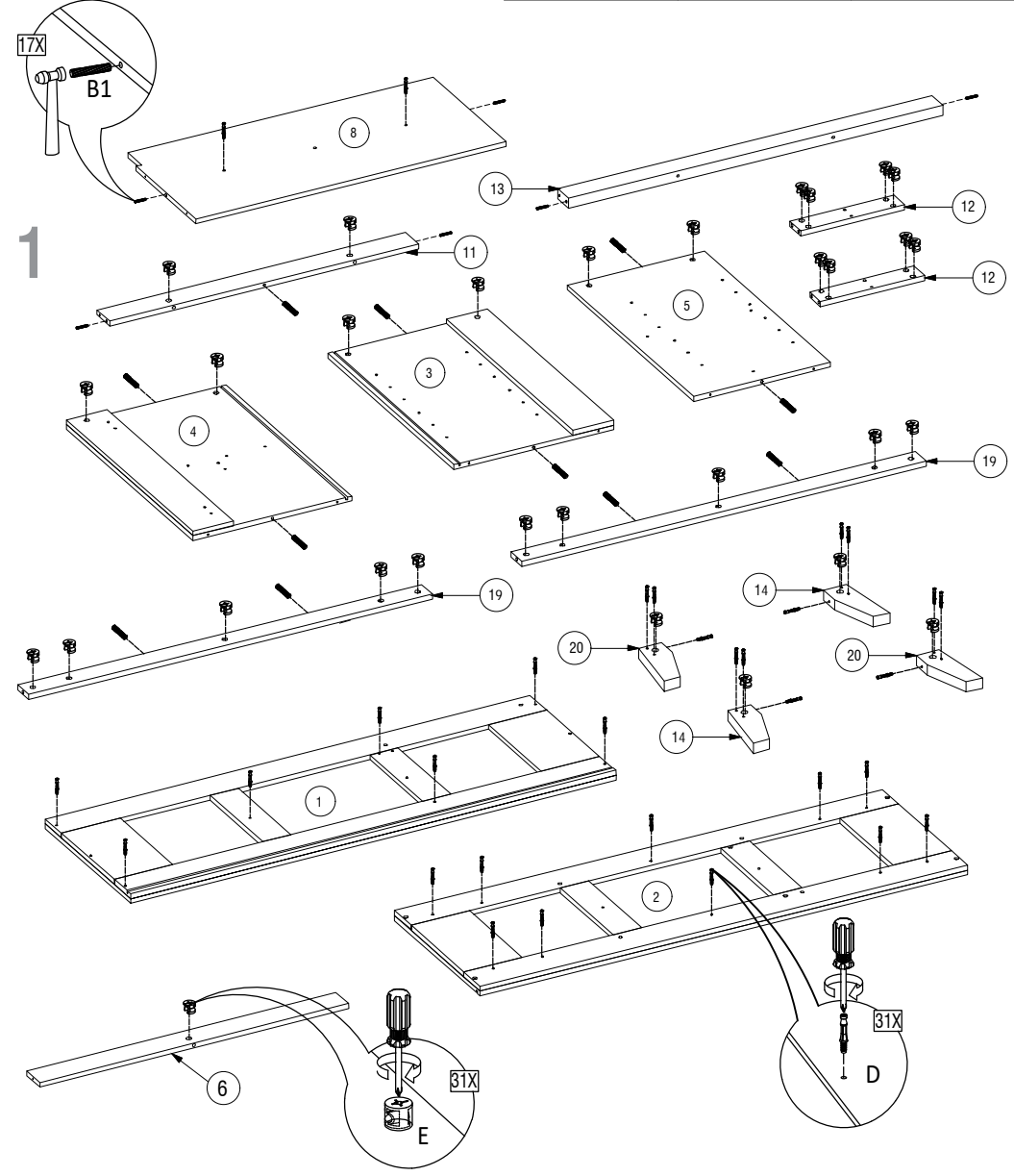


 31 X Ø6 MM X 30 MM	 17 X Ø12 MM X 10 MM	 31 X Ø12 MM X 10 MM	 1 X OGGI	 1 SET	 1 X FLB
 2 X INSET	 2 X FULL OVERLAY	 18 X Ø 10 MM X 44 MM	 12 X	 12 X Ø 4 MM X 16 MM	 4 X
 1 X	 3 X	 3 X Ø 4 MM X 13 MM	 2 X	 8 X Ø 6 MM X 13 MM	 8 X Ø 9 MM X 12 MM
 2 X	 4 X TUSCANY OAK	 2 X WHITE			

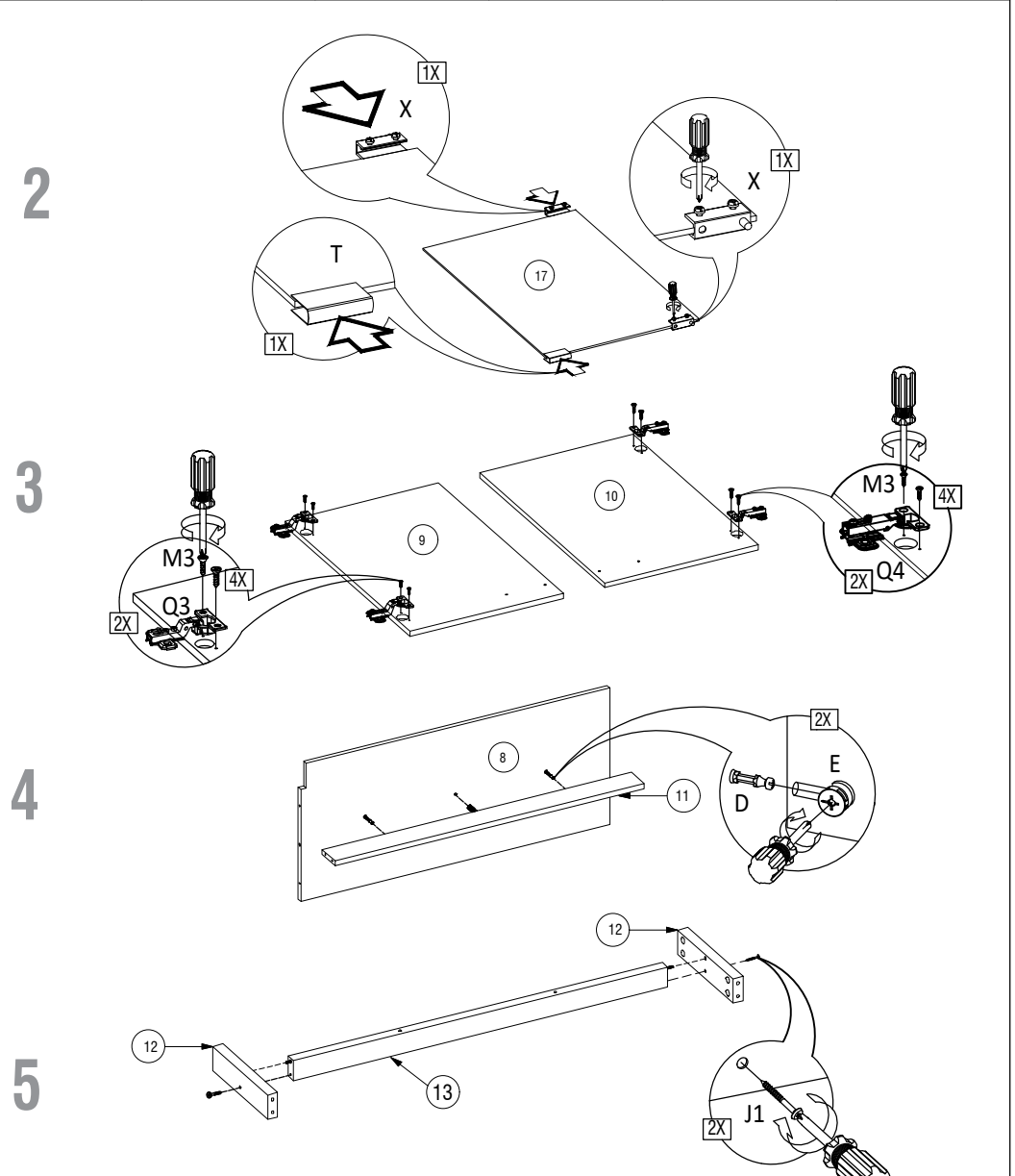


 x2 ±45 M 

<p>D</p>  <p>31 X</p>	<p>B1</p>  <p>17 X</p> <p>∅6 MM X 30 MM</p>	<p>E</p>  <p>31 X</p> <p>∅12 MM X 10 MM</p>	<p>J1</p>  <p>2 X</p> <p>∅10 MM X 44 MM</p>	<p>X</p>  <p>1 SET</p>	<p>T</p>  <p>1 X</p>	<p>M3</p>  <p>8 X</p> <p>∅6 MM X 13 MM</p>	<p>Q4</p>  <p>2 X</p> <p>INSET</p>	<p>Q3</p>  <p>2 X</p> <p>FULL OVERLAY</p>
---	--	---	---	---	---	---	---	--

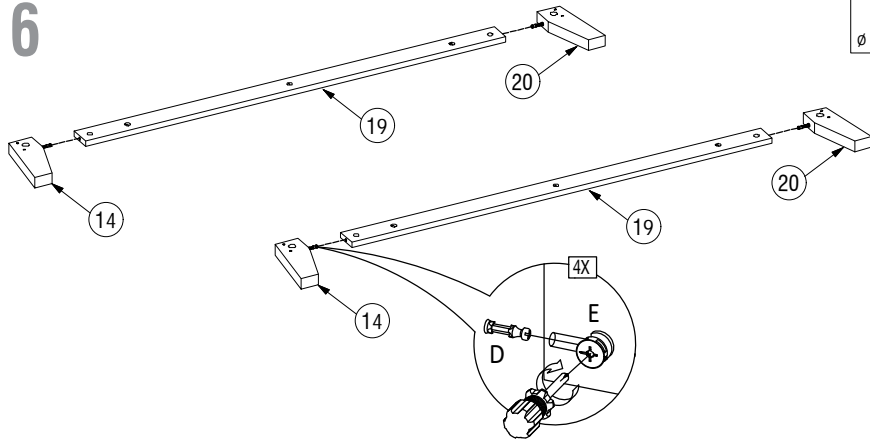


03



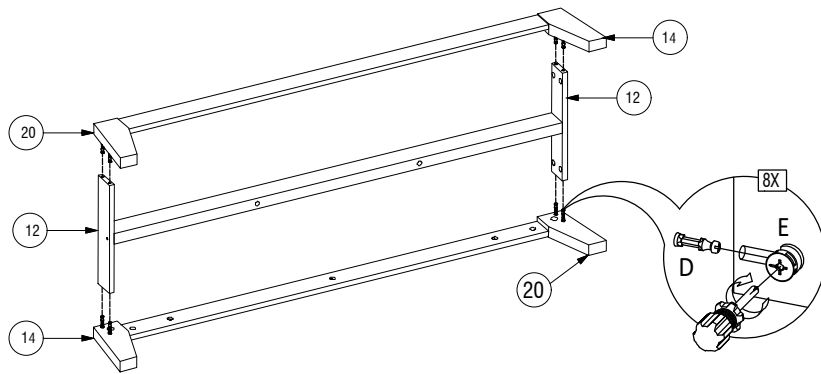
04

6

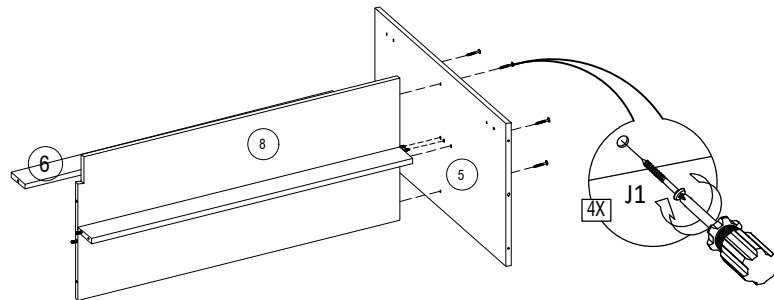


J1
 Ø 10 MM X 44 MM 4 X

7

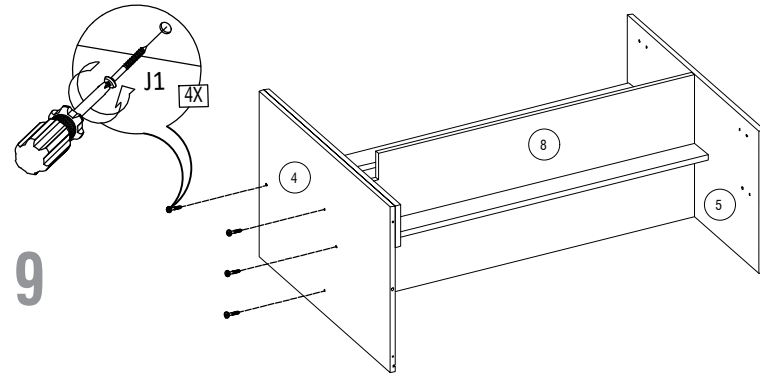


8



05

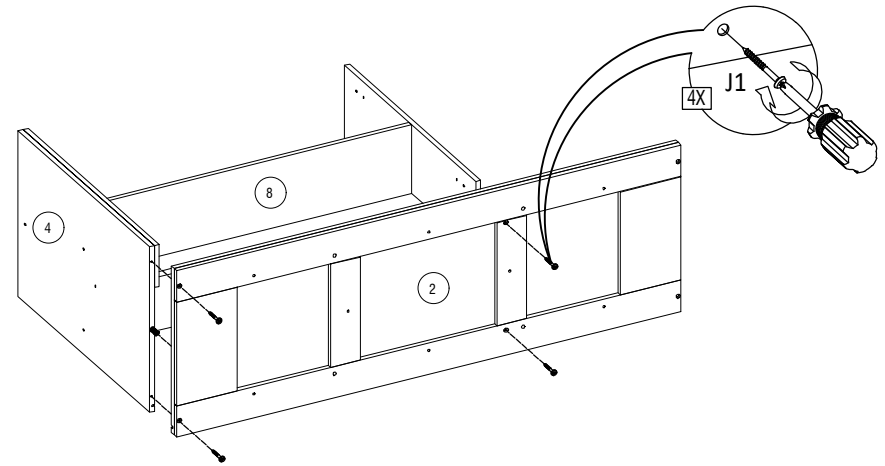
J1



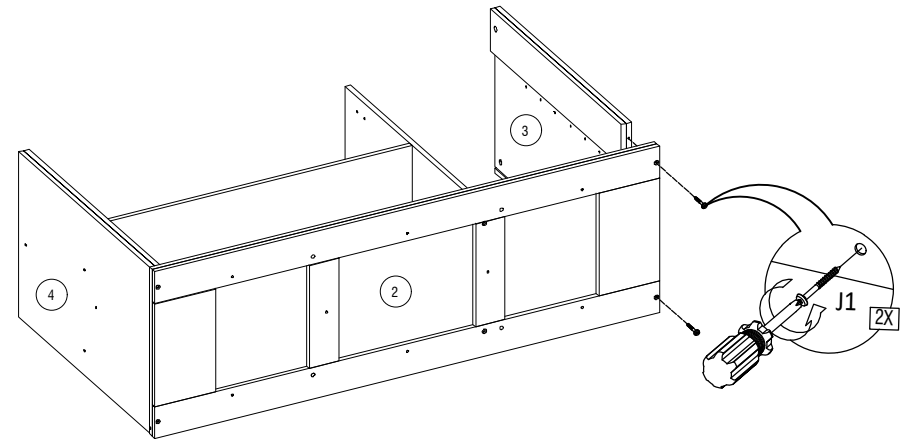
J1
 Ø 10 MM X 44 MM 10 X

9

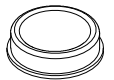



10



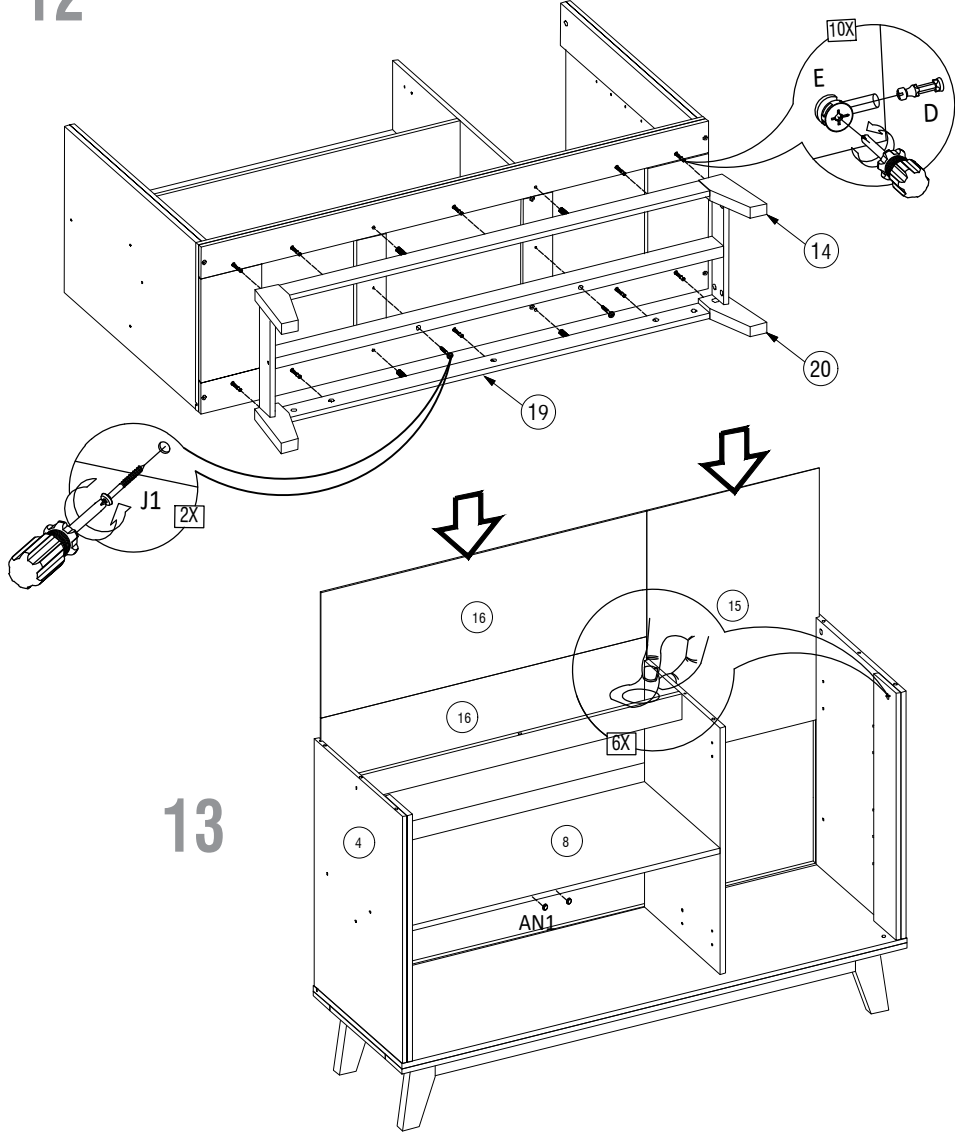
11



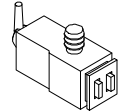
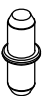
06

AN1	BT18	BT15	J1
			
2X	TUSCANY OAK	4X	WHITE
		2X	Ø 10 MM X 44 MM

12 PEMASANGAN BAGIAN KAKI DILAKUKAN OLEH MINIMAL 2 ORANG

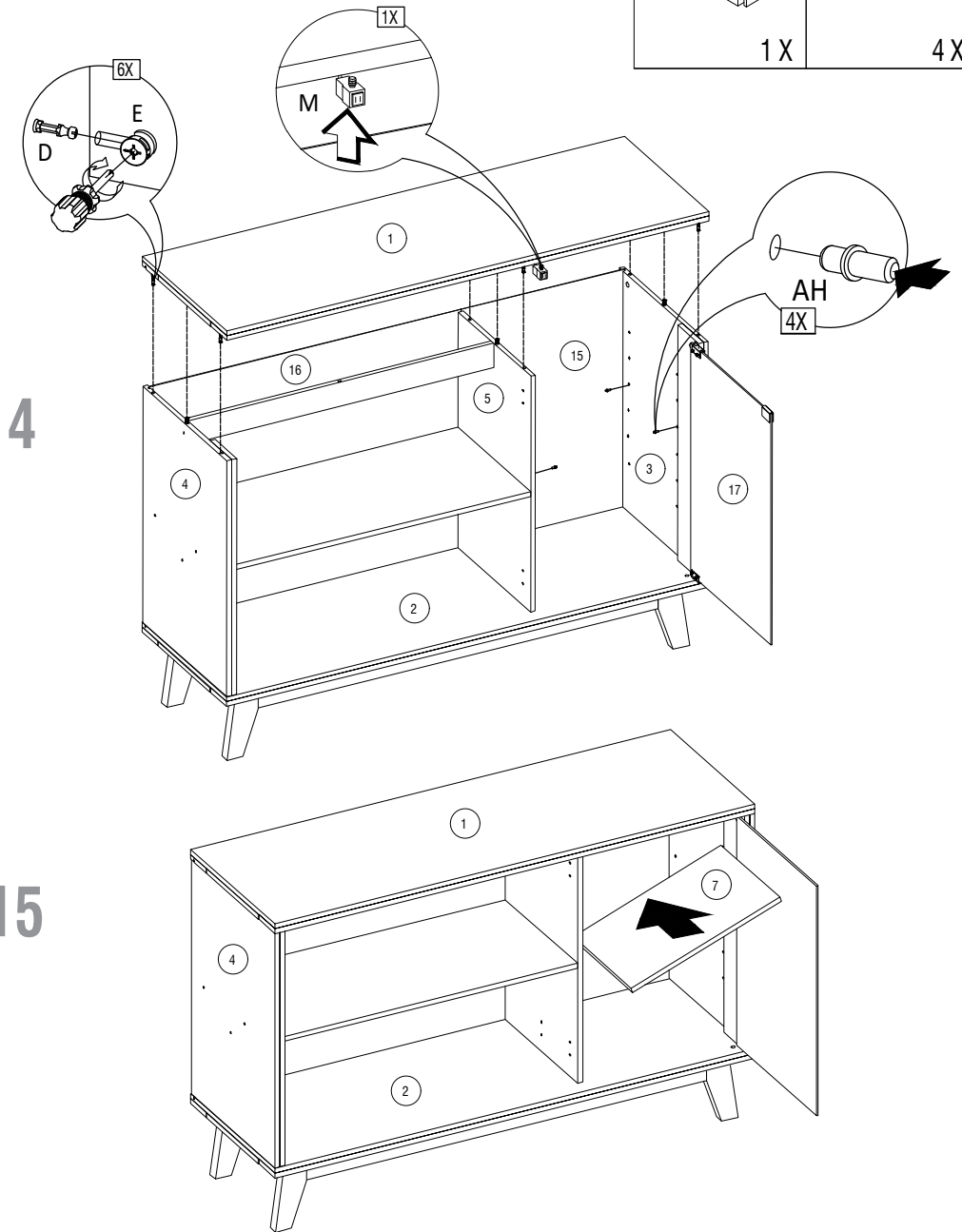



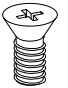

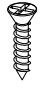
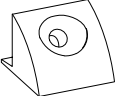

13

M	AH
	
1X	4X

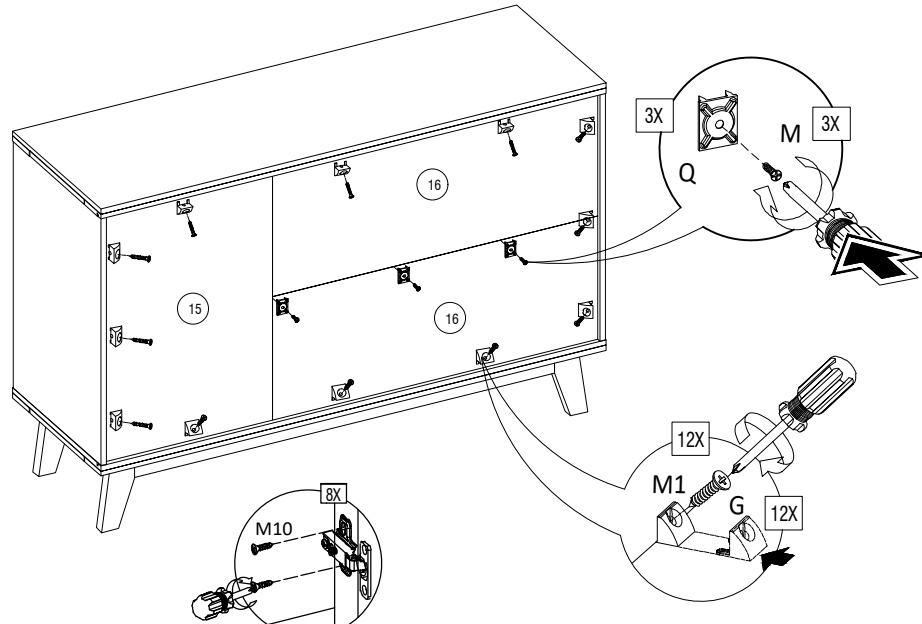
14

15

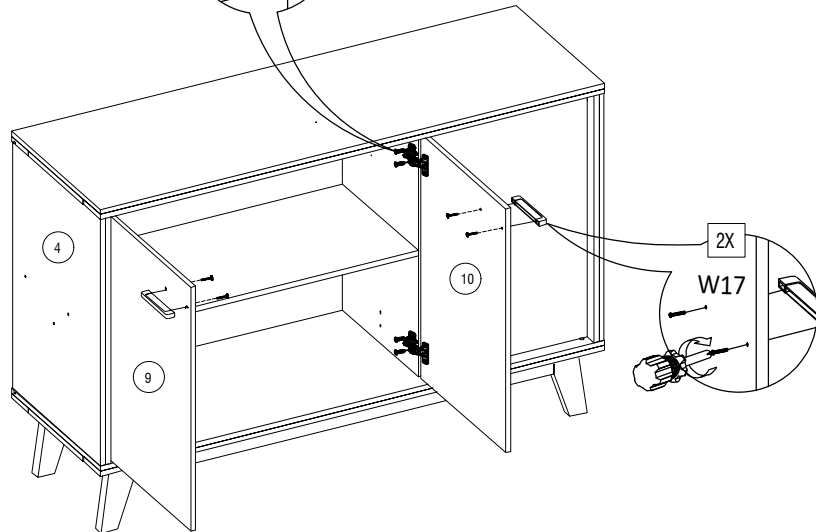


TT	W17	M10	Q	M	G	M1
						
2 X	∅ 9 MM X 12 MM 8 X	3 X	∅ 4 MM X 13 MM 3 X	12 X	∅ 4 MM X 16 MM 12 X	

16

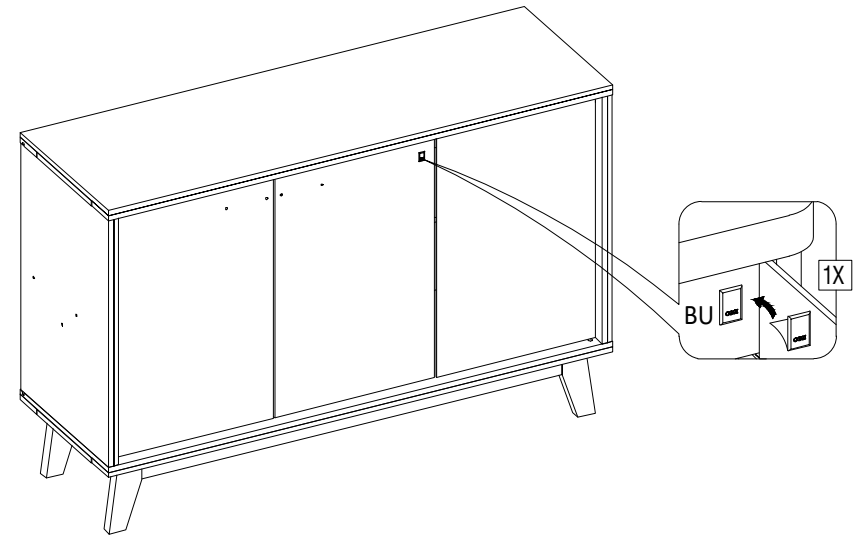


17

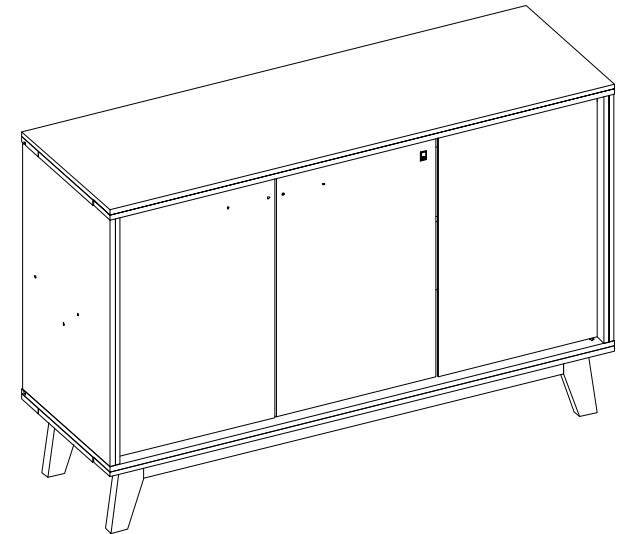


09

18



19



BU



1 X

10