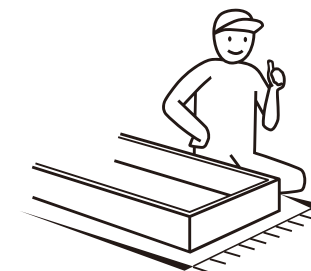
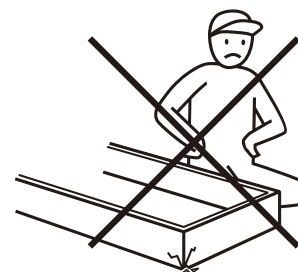
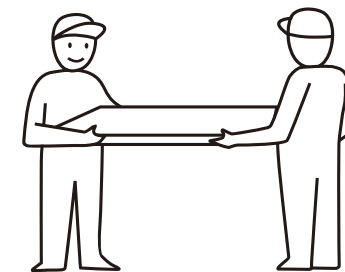
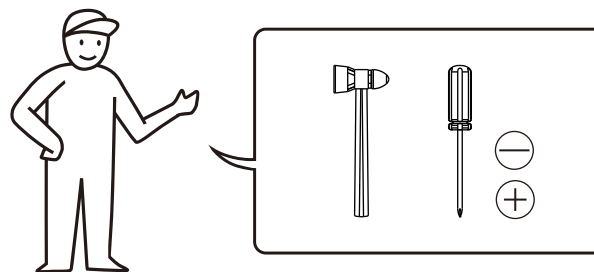
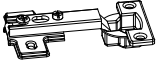

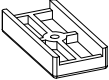


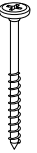

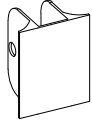
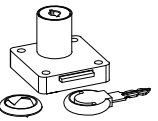

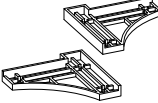




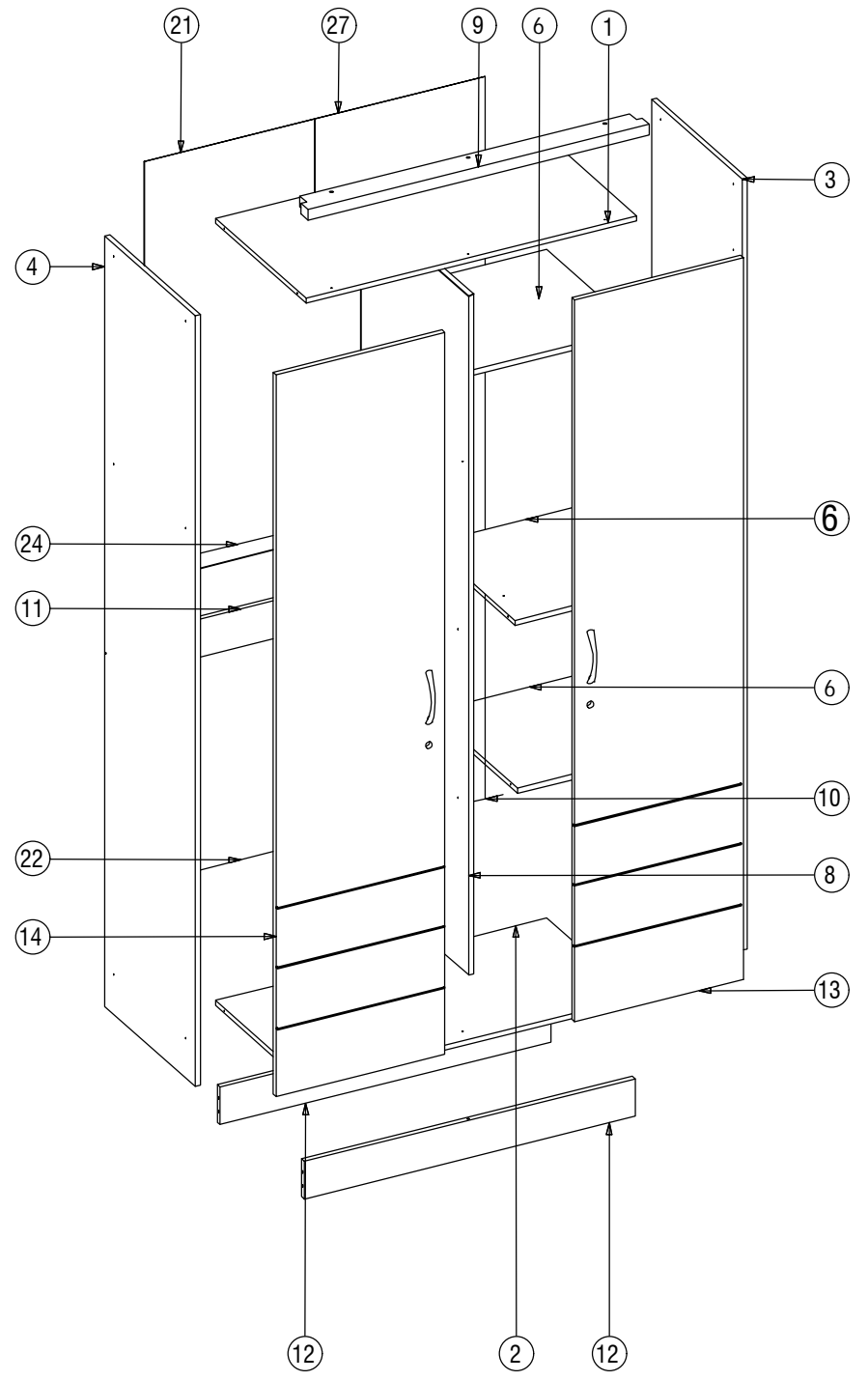




ASSEMBLING INSTRUCTION

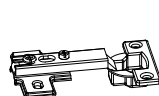


MORPHO WARDROBE 2D

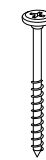



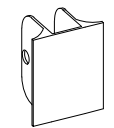
 Q4 INSET 6 X	 M2 $\varnothing 6 \text{ MM} \times 25 \text{ MM}$ 3 X	 BB6 12 MM 2 X	 M6 $\varnothing 6 \text{ MM} \times 16 \text{ MM}$ 14 X	 B1 $\varnothing 6 \text{ MM} \times 30 \text{ MM}$ 12 X
 J1 $\varnothing 10 \text{ MM} \times 44 \text{ MM}$ 26 X	 M3 $\varnothing 6 \text{ MM} \times 13 \text{ MM}$ 22 X	 CA3 SAYAP BLACK 12MM 1 X	 U $\varnothing 16 \text{ MM}$ 2 X	 W31 2 X
 BB 12 MM 2 SET	 AG 4 X	 F1 19 MM 8 g	 F 13 MM 3 g	 M4 $\varnothing 9 \text{ MM} \times 13 \text{ MM}$ 12 X



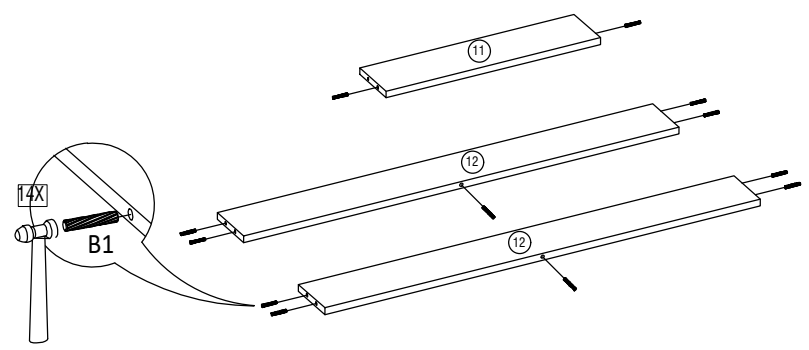
 x2 ±45 M 

<p>Q4</p>  <p>INSET 6 X</p>	<p>B1</p>  <p>∅6 MM X 30 MM 12 X</p>	<p>M3</p>  <p>∅6 MM X 13 MM 12 X</p>
---	--	---

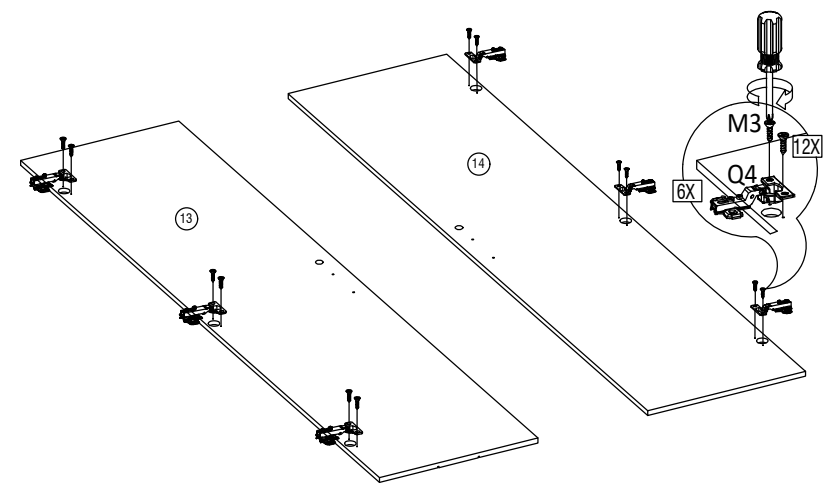
<p>J1</p>  <p>∅10 MM X 44 MM 7 X</p>	<p>M3</p>  <p>∅6 MM X 13 MM 2 X</p>
--	---

<p>CA3</p>  <p>SAYAP BLACK 12MM 1 X</p>

1

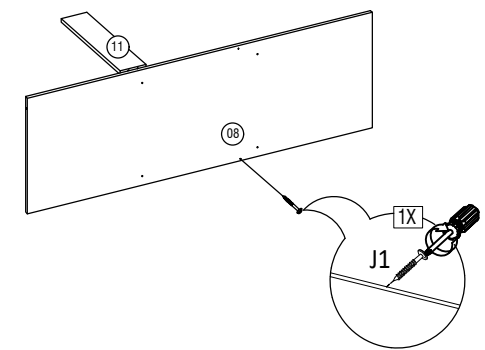


2

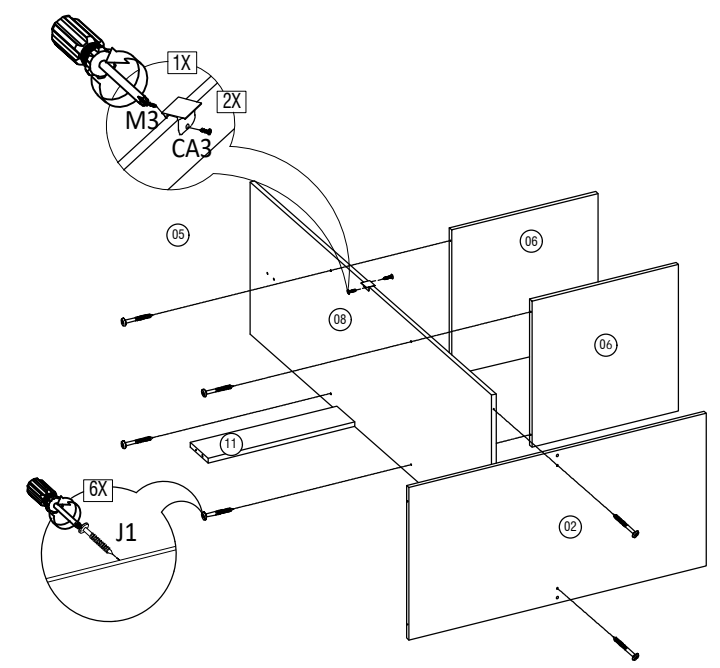


03

3

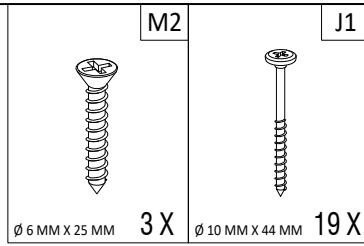
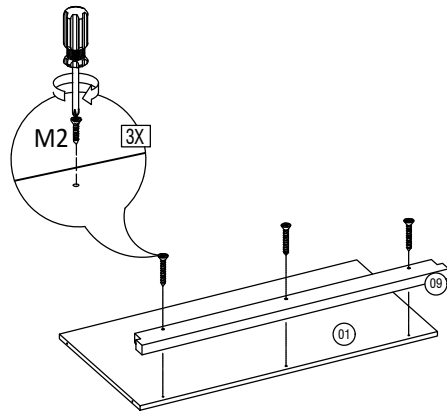


4

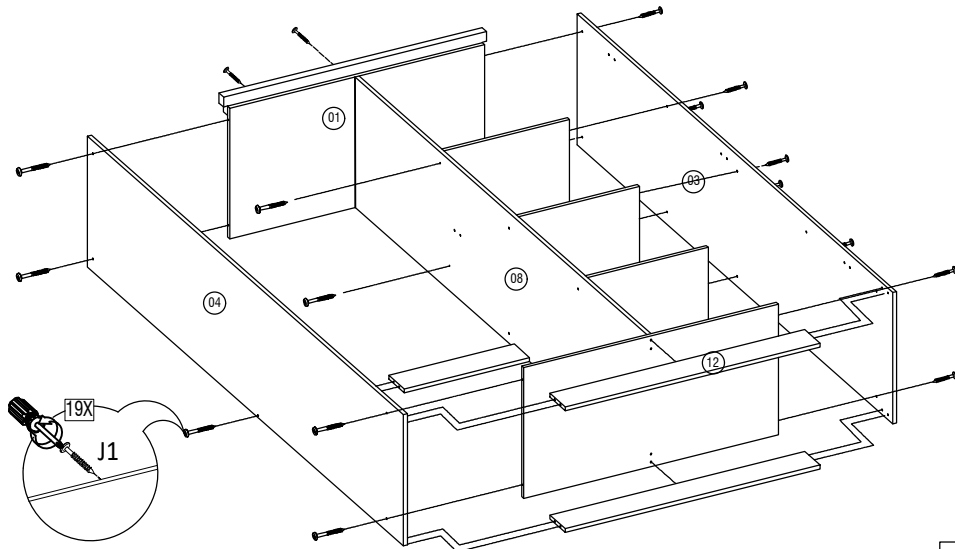


04

5

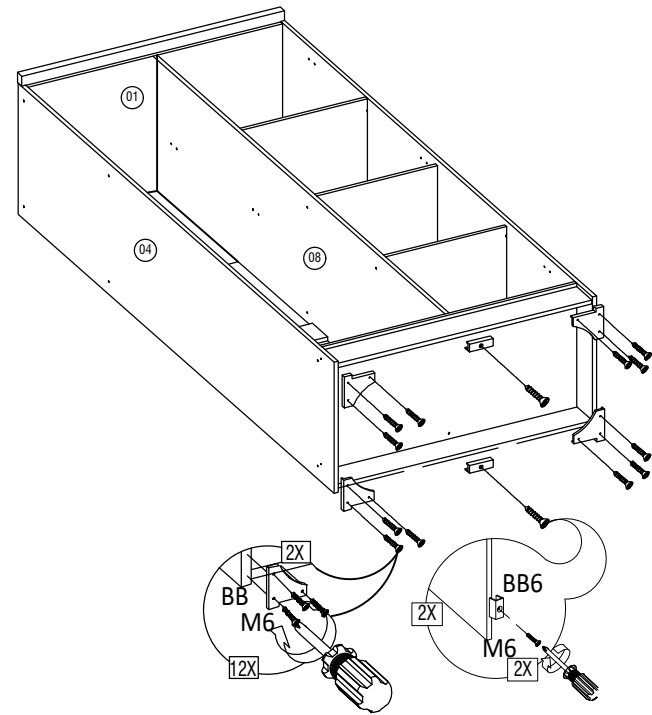


6

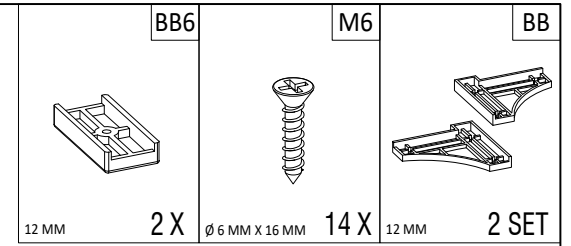






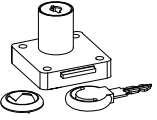
05

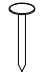

7



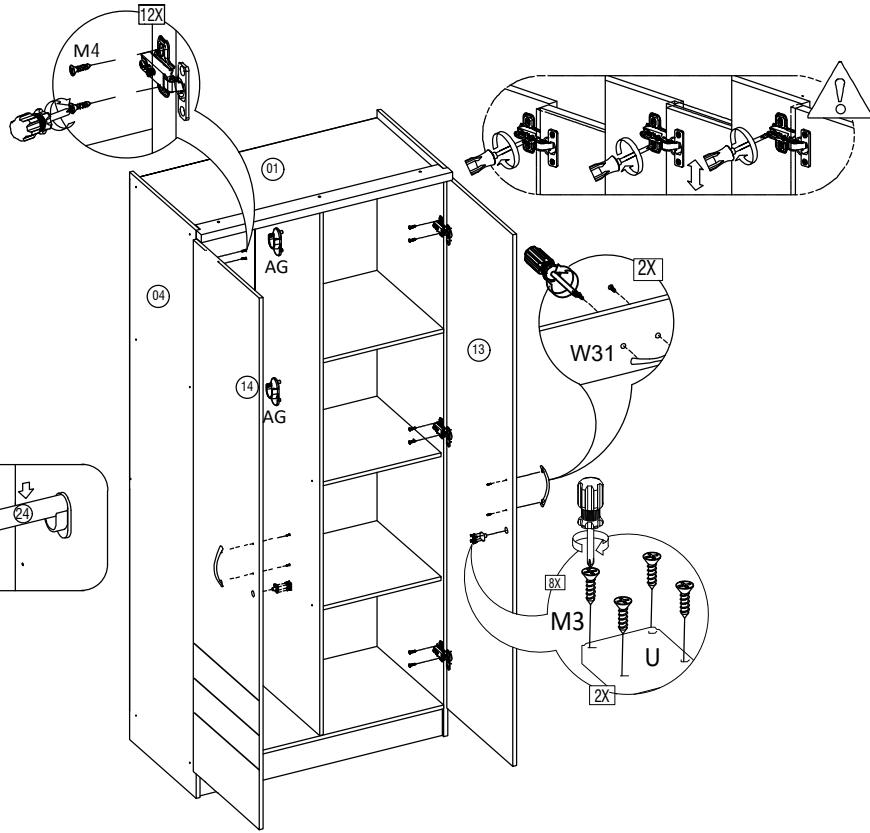
06



<p>M4</p>  <p>∅ 9 MM X 13 MM 12 X</p>	<p>M3</p>  <p>∅ 6 MM X 13 MM 8 X</p>	<p>W31</p>  <p>2 X</p>	<p>AG</p>  <p>4 X</p>	<p>U</p>  <p>∅ 16 MM 2 X</p>
--	---	--	---	---

<p>F</p>  <p>13 MM 3 g</p>	<p>F1</p>  <p>19 MM 8 g</p>
---	--

8



9

